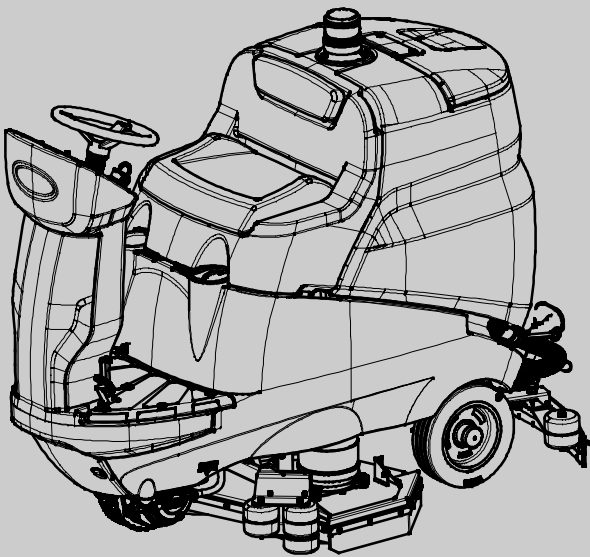




T981

Rider Floor Scrubber

Parts Manual



Model Part No.:

- 1259037 - SCRUBBER [T981, 75CM CYL, 320Ah, WET]
- 1259036 - SCRUBBER [T981, 75CM CYL, 240Ah, GEL]
- 1259038 - SCRUBBER [T981, 75CM CYL, W/O BATTERY]
- 1259040 - SCRUBBER [T981, 80CM DISK, 320Ah, WET]
- 1259039 - SCRUBBER [T981, 80CM DISK, 240Ah, GEL]
- 1259041 - SCRUBBER [T981, 80CM DISK, W/O BATTERY]
- 1259043 - SCRUBBER [T981, 90CM DISK, 320Ah, WET]
- 1259042 - SCRUBBER [T981, 90CM DISK, 240Ah, GEL]
- 1259044 - SCRUBBER [T981, 90CM DISK, W/O BATTERY]

TennantTrue® Parts

Europe



To view, print or download
Tennant manuals, visit:

www.tennantco.com/manuals

9021830
Rev. 01 (01-2022)

Only use TENNANT Company supplied or equivalent parts. Parts and supplies may be ordered online, by phone or from any Tennant Authorized Service Center or Distributor.

Before Ordering any parts or supplies, be sure to have the machine model number and serial number available.

Serial Number Label Location

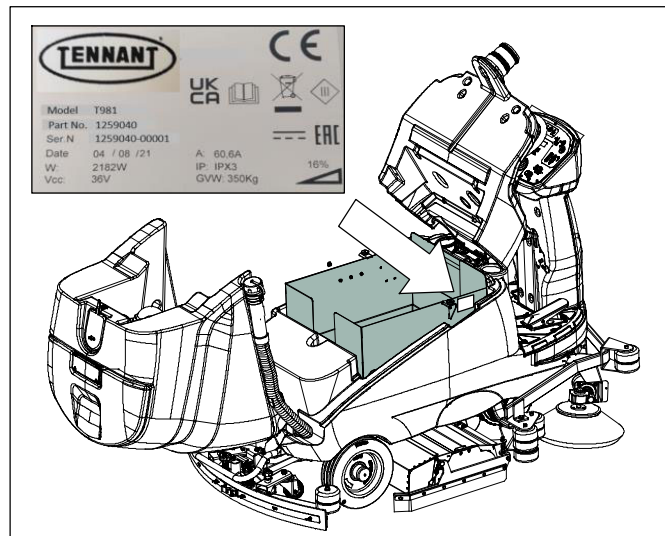


TABLE OF CONTENTS

RECOMMENDED SPARE PARTS LIST	3
BRUSHES / PAD DRIVER AND PADS	5
RECOVERY TANK GROUP	6
SOLUTION TANK GROUP	8
SEAT GROUP	10
FRAME GROUP	12
DRIVE WHEEL GROUP	14
REAR WHEEL GROUP	16
SCRUB HEAD LIFT AND BUMPER GROUP (80cm Disk Models)	18
SCRUB HEAD LIFT AND BUMPER GROUP (90cm Disk Models)	20
SCRUB HEAD LIFT AND BUMPER GROUP (Cylindrical Brush Model)	22
SQUEEGEE LIFT BRACKET GROUP	24
ACCELERATOR PEDAL GROUP	26
SCRUB HEAD GROUP (80cm Disk Model)	28
SCRUB HEAD GROUP (90cm Disk Model)	30
SCRUB HEAD GROUP (Cylindrical Brush Model)	32
SIDE BRUSH GROUP (Cylindrical Brush Model)	34
SQUEEGEE GROUP (80cm Disk and 75cm Cylindrical Brush Models)	36
SQUEEGEE GROUP (90cm Disk Model)	38
CONTROL PANEL GROUP	40
STEERING COLUMN GROUP (Disk Models) ...	42
STEERING COLUMN GROUP (Cylindrical Brush Model)	44
ELECTRICAL COMPONENTS GROUP (Disk Models)	46
ELECTRICAL COMPONENTS GROUP (Cylindrical Brush Model)	48
BATTERY COMPARTMENT GROUP	50
ELECTRICAL DIAGRAM	52

Tennant Company N.V.

Industrielaan 6 5405 AB
 P.O. Box 6 5400 AA
 Uden- The Netherlands
 europe@tennantco.com

Specifications and parts are subject to change without notice.

Copyright © 2021 TENNANT Company

RECOMMENDED SPARE PARTS LIST

T981 80cm Disk Model	
Part Number	SAP Description
SPPV01527	BRUSH, PPL, 42CM [STD]
SPPV01528	BRUSH, ABRV, 42CM (TYNEX 120)
SPPV01529	BRUSH, ABRV, 42CM (TYNEX 240)
SPPV01530	BRUSH, ABRV, 42CM (TYNEX 320)
SPPV01531	BRUSH, PES, MIX 5, 42CM
SPPV01222	PAD HOLDER, 42CM
994522	PAD, 16.0/406 [3M, HI-PRO, 5PC]
994523	PAD, STRIPPING, 16.0/406, BROWN[5PC]
994524	PAD, SCB, 16.0INCH /406, BLU [5PC]
994525	PAD, BUFF, 16.0/406, RED [5PC]
994526	PAD, POLISH, 16.0/406, WHITE [5PC]
995612	PAD, BUFF, 16.0/406, RED [3M, 5PC]
995620	PAD, SCB, 16.0INCH /406 [3M BLU, 5PC]
995627	PAD, STRIPPING, 16.0/406, BROWN[3M, 5PC]
MPVR06551	BLADE, SQGE, FRONT, LINATEX [STD]
MPVR06552	BLADE, SQGE, REAR, LINATEX [STD]
MPVR02830	BLADE, SQGE, FRONT, NAT RUB
MPVR05883	BLADE, SQGE, REAR, LATEX
MPVR13250	BLADE, SQGE, FRONT, PU
MPVR02832	BLADE, SQGE, REAR, PU
PMVR06915	SQGE ASY W/ LINATEX BLADES, 75/80
MPVR02854	FLAP LH SIDE BRUSH HEAD
MPVR02853	FLAP RH SIDE BRUSH HEAD
MPVR02852	FLAP, BRUSH HEAD, REAR
MOCC00390	MOTOR, BRUSH, GEARBOX, RIGHT
MOCC00474	MOTOR, BRUSH, GEARBOX, LEFT
RDGR00039	GEARBOX, BRUSH MOTOR
MEVR05203	CARBON MOTOR BRUSH
MLML00240	SPRING, RETAINER
897524	BEARING, BALL, 8B 30D 11W

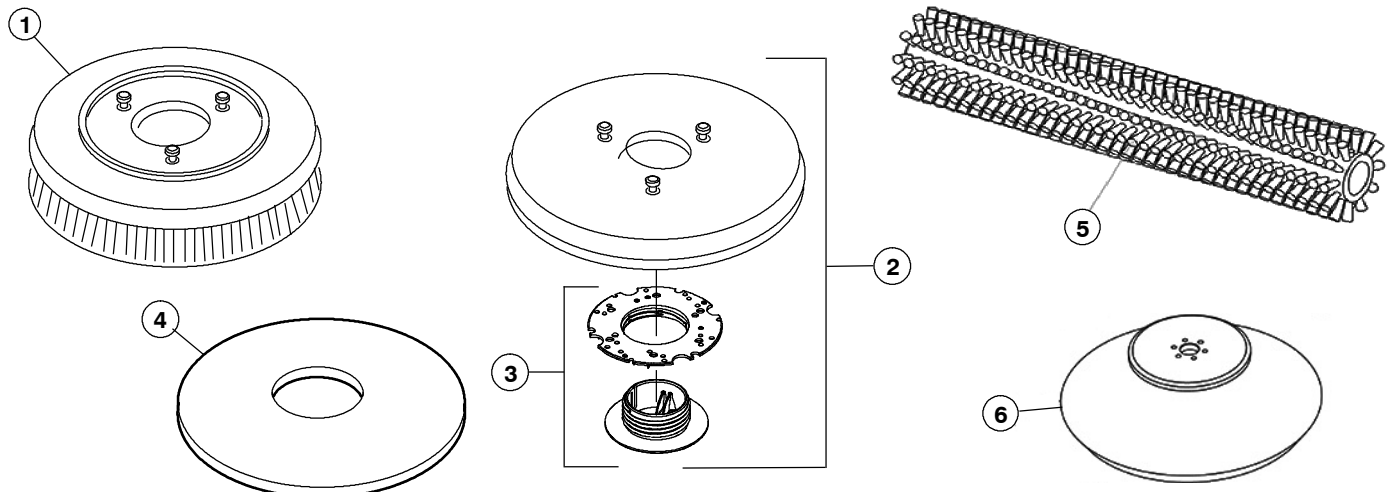
T981 90cm Disk Model	
Part Number	SAP Description
SPPV01539	BRUSH, PPL, 48CM [STD]
SPPV01540	BRUSH, ABRV, 48CM (TYNEX 120)
SPPV01541	BRUSH, ABRV, 48CM (TYNEX 240)
SPPV01542	BRUSH, ABRV, 48CM (TYNEX 320)
SPPV01543	BRUSH, PES, MIX 5, 48CM
SPPV01221	PAD HOLDER, 48CM
994535	PAD, 18.0/457 [3M, HI-PRO, 5PC]
994536	PAD, STRIPPING, 18.0/457, BROWN[5PC]
994537	PAD, SCB, 18.0INCH /457, BLU [5PC]
994538	PAD, BUFF, 18.0D /457, RED [5PC]
995614	PAD, BUFF, 18.0D /457, RED [3M, 5PC]
995622	PAD, SCB, 18.0INCH /457 [3M BLU, 5PC]
995629	PAD, STRIPPING, 18.0/457, BROWN[3M, 5PC]
MPVR06553	BLADE, SQGE, FRONT, LINATEX [STD]
MPVR06554	BLADE, SQGE, REAR, LINATEX [STD]
MPVR02850	BLADE, SQGE, FRONT, NAT RUB
MPVR05884	BLADE, SQGE, REAR, LATEX
MPVR13251	BLADE, SQGE, FRONT, PU
MPVR51009	BLADE, SQGE, REAR, PU
PMVR06916	SQGE ASY W/ LINATEX BLADES, 90
MPVR51006	FLAP, SIDE, LEFT
MPVR51007	FLAP, SIDE, RIGHT
MPVR51005	FLAP, SIDE, REAR
MOCC00390	MOTOR, BRUSH, GEARBOX, RIGHT
MOCC00474	MOTOR, BRUSH, GEARBOX, LEFT
RDGR00039	GEARBOX, BRUSH MOTOR
MEVR05203	CARBON BRUSHES, BRUSH MOTOR
897524	BEARING, BALL, 8B 30D 11W

RECOMMENDED SPARE PARTS LIST

T981 75cm Cylindrical Brush Model	
Part Number	SAP Description
SPPV01286	BRUSH, SOFT, PPL, 75CM [STD]
SPPV00457	BRUSH, MED, PPL, 75CM
SPPV01364	BRUSH, SOFT, MIX 5, 75CM
SPPV01201	BRUSH, ABRV, 75CM (TYNEX)
SPPV75790	BRUSH, SIDE, PPL, MEDIUM [STD]
SPPV75794	BRUSH, SIDE, ABRV
MPVR06551	BLADE, SQGE, FRONT, LINATEX [STD]
MPVR06552	BLADE, SQGE, REAR, LINATEX [STD]
MPVR02830	BLADE, SQGE, FRONT, NAT RUB
MPVR05883	BLADE, SQGE, REAR, LATEX
MPVR13250	BLADE, SQGE, FRONT, PU
MPVR02832	BLADE, SQGE, REAR, PU
PMVR06915	SQGE ASY W/ LINATEX BLADES, 75/85
MPVR02846	FLAP, SIDE, LEFT
MPVR02845	FLAP, SIDE, RIGHT
GUVR75740	RING
MPVR04720	ROLLER
MOCC00166	MOTOR, BRUSH
MTCG87404	BELT
CUVR29964	BALL BEARING 6000,2RS1 BALL
CUVR00164	BEARING 6002RS -SKF

T981 Common Service Parts	
Part Number	SAP Description
994229	BATTERY, 06VDC 0240AH [5H, MF, GF06240V]
BAAC00113	WET BATTERY 36 VOLTS 320 AH AU-TO FILLING
1232896	CHARGER, 36VDC 045A GEL SB175G 230VAC
1232897	CHARGER, 36VDC 045A WET SB175G 230VAC
MEVR00985	VR, BRUSH KIT, MOTOR, TRACTION
MEVR05202	CARBON BRUSH VACUUM
FTDP00130	FILTER
GUGO31051	GASKET LAV
KTRI04700	HOSE, SQUEEGEE
GUGO00306	GASKET, CAP, SEAL
FTAC00038	FILTER, ASSY, SOLUTION
FTAC00047	FILTER, SOLUTION
9017783	MOTOR, VACUUM, ASSY, 36V
9017737	SENSOR FLOAT WATER TANK
TBBP00485	HOSE ASSY, DRAIN, RECY
MECB01227	POTENTIOMETER, TRACTION
MECB01228	CONTACT, MICRO, PEDAL
MEEV00043	SOLENOID VALVE
RTRT00518	WHEEL SWIVEL
PMVR01141	TUBE, AIR OUTLET
PMVR01139	HOSE, DRAIN, SOL. TANK
MOCC00394	ACTUATOR
KTRI02060	ACTUATOR, BRUSH HEAD
MOCC00380	MOTOR WHEEL 36V
RTRT00795	WHEEL, POLY, D
PPEL00025	PUMP EST, 36V
MECE00526	BOARD POWER SERVICE
KTRI06405	KIT, DISPLAY BOARD ASSY
KTRI06415	KIT, BOARD, DISPLAY
KTRI06416	KIT, BOARD, LOGIC
KTRI06417	KIT, BOARD, INTERFACE
KTRI05576	POTENTIOMETER, SPEED 100K
METT00086	CONTACTOR, 100A
RTRT00533	MOTORWHEEL, RING REPLMT
CUVR00194	BEARING, 61926, 2RS
CUVR00264	BEARING 32007X
GUGO00703	GASKET
MEVR00644	FUSE, 30A
MEVR00584	FUSE 3A
MEVR00145	FUSE 100A

BRUSHES / PAD DRIVER AND PADS



80cm Disk Model

Ref.	Part No.	Serial Number	Description	Qty.
1	SPPV01527	(1259039-00001) Brush, Ppl, 42cm [Standard]	2
1	SPPV01528	(1259039-00001) Brush, Abrv, 42cm (Tynex 120)	2
1	SPPV01529	(1259039-00001) Brush, Abrv, 42cm (Tynex 240)	2
1	SPPV01530	(1259039-00001) Brush, Abrv, 42cm (Tynex 320)	2
1	SPPV01531	(1259039-00001) Brush, Pes, Mix 5, 42cm	2
2	SPPV01222	(1259039-00001) Pad Holder 42CM	2
3	MPVR04717	(1259039-00001) Pad Center Lock	2
4	994522	(1259039-00001) Pad, 16.0/406 [3M, HI-Pro, 5pc]	2
4	994523	(1259039-00001) Pad, Stripping, 16.0/406, Brown [5pc]	2
4	994524	(1259039-00001) Pad, Scrub, 16.0Inch /406, Blue [5pc]	2
4	994525	(1259039-00001) Pad, Buff, 16.0/406, Red [5pd]	2
4	994526	(1259039-00001) Pad, Polish, 16.0/406, White [5pc]	2
4	995612	(1259039-00001) Pad, Buff, 16.0/406, RED [3M, 5pc]	2
4	995620	(1259039-00001) Pad, Scrub, 16.0inch /406 [3M Blue, 5pc]	2
4	995627	(1259039-00001) Pad, Stripping, 16.0/406, Brown [3M, 5pc]	2

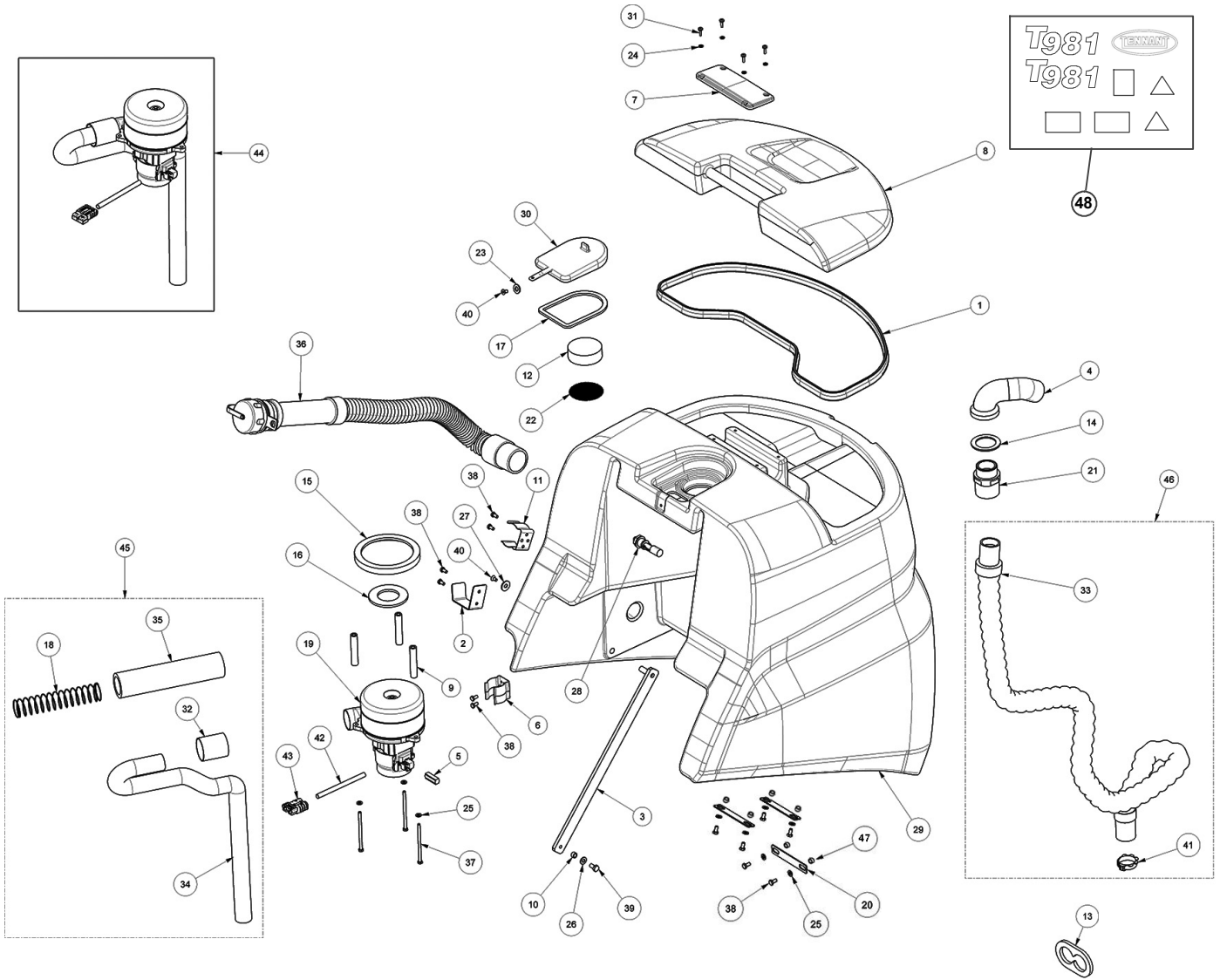
90cm Disk Model

Ref.	Part No.	Serial Number	Description	Qty.
1	SPPV01539	(1259042-00001) Brush, Ppl, 48CM [Standard]	2
1	SPPV01540	(1259042-00001) Brush, Abrv, 48CM (Tynex 120)	2
1	SPPV01541	(1259042-00001) Brush, Abrv, 48CM (Tynex 240)	2
1	SPPV01542	(1259042-00001) Brush, Abrv, 48CM (Tynex 320)	2
1	SPPV01543	(1259042-00001) Brush, Pes, Mix 5, 48cm	2
2	SPPV01221	(1259042-00001) Pad Holder 48cm	2
3	MPVR04717	(1259039-00001) Pad Center Lock	2
4	994535	(1259042-00001) Pad, 18.0/457 [3M, HI-Pro, 5pc]	2
4	994536	(1259042-00001) Pad, Stripping, 18.0/457, Brown [5pc]	2
4	994537	(1259042-00001) Pad, Scrub, 18.0inch /457, Blue [5pc]	2
4	994538	(1259042-00001) Pad, Buff, 18.0D /457, Red [5pc]	2
4	995614	(1259042-00001) Pad, Buff, 18.0D /457, Red [3M, 5pc]	2
4	995622	(1259042-00001) Pad, Scrub, 18.0inch /457 [3M Blue, 5pc]	2
4	995629	(1259042-00001) Pad, Stripping, 18.0/457, Brown [3M, 5pc]	2

75cm Cylindrical Brush Model

Ref.	Part No.	Serial Number	Description	Qty.
5	SPPV01286	(1259036-00001) Brush, Soft, PPL, 75cm [Standard]	2
5	SPPV00457	(1259036-00001) Brush, Med, PPL, 75cm	2
5	SPPV01364	(1259036-00001) Brush, Soft, Mix 5, 75cm	2
5	SPPV01201	(1259036-00001) Brush, Abrv, 75cm (Tynex)	2
6	SPPV75790	(1259036-00001) Brush, Side, PPL, Medium [Standard]	2
6	SPPV75794	(1259036-00001) Brush, Side, Abrv	2

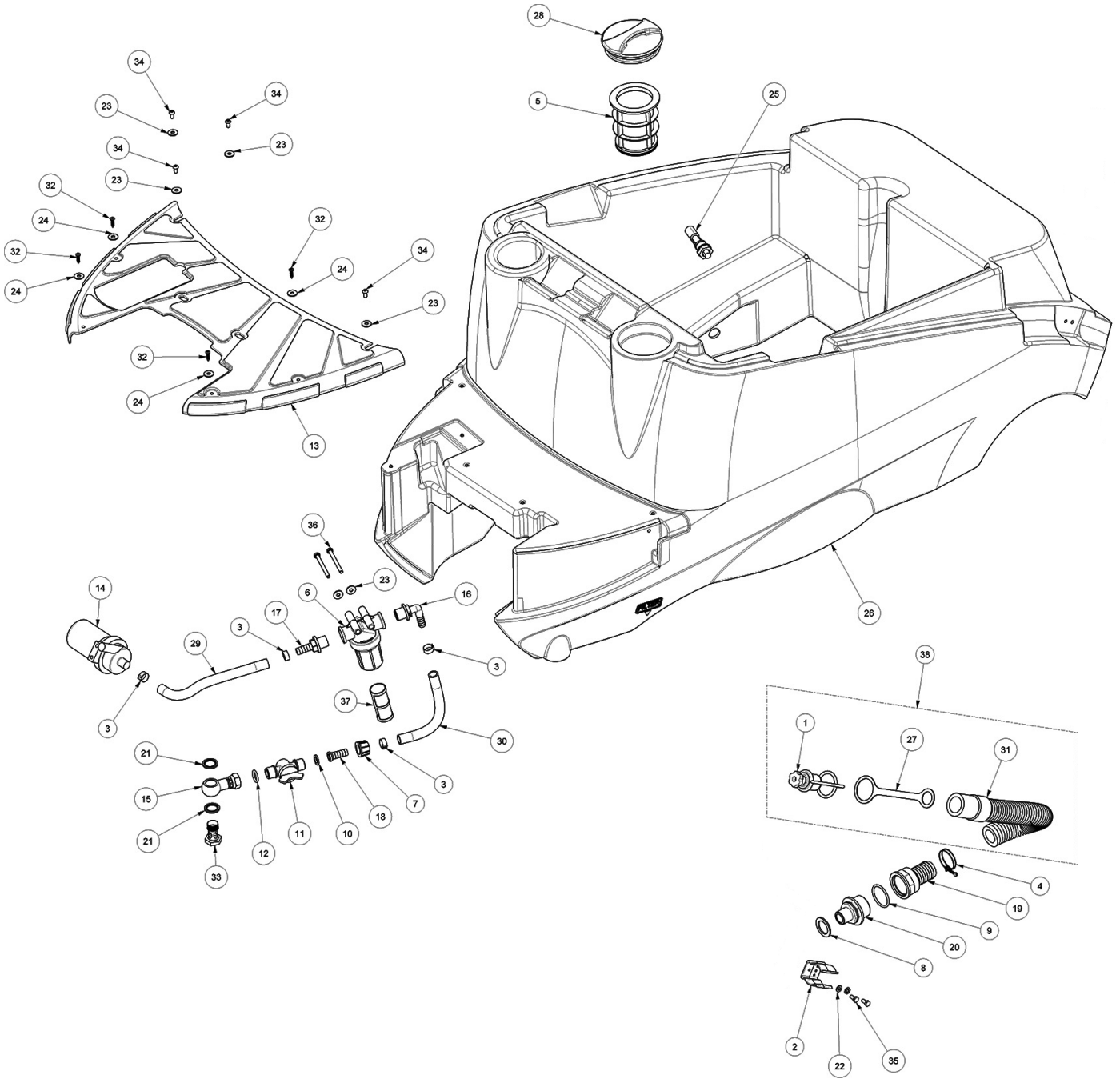
RECOVERY TANK GROUP



RECOVERY TANK GROUP

Ref.	Part No.	Serial Number	Description	Qty.
1	GUGO00703	(12590xx-00001) Gasket	1
2	KTRI01952	(12590xx-00001) Clip	1
3	LAFN05803	(12590xx-00001) Tank, Assembled, Asta	1
4	PMVR02010	(12590xx-00001) Tube, Recovery Tank	1
5	MEVR05202	(12590xx-00001) Carbon Brush, Vacuum Motor	1
6	9017721	(12590xx-00001) Clip, Hose, Recvy	1
7	MPVR13192	(12590xx-00001) Cover	1
8	MPVR13188	(12590xx-00001) Cover Recovery Tank	1
9	LAFN04171	(12590xx-00001) Spacer Aspirator	3
10	LAFN75911	(12590xx-00001) Spacer, D.12 H.7.	1
11	FSVR44166	(12590xx-00001) Hose Clip D.50	1
12	FTDP00130	(12590xx-00001) Filter	1
13	MPVR04659	(12590xx-00001) Hose, Suction, Flange	1
14	GUGO00216	(12590xx-00001) Gasket, Tank, Drain Hose, Cuff	1
15	GUGO30649	(12590xx-00001) Gasket Lav.Dw.	1
16	GUGO31051	(12590xx-00001) Gasket Lav	1
17	GUGO00306	(12590xx-00001) Gasket, Cap, Seal	1
18	MLML00244	(12590xx-00001) Spring	1
19	MOCC00164	(12590xx-00001) Motor, Vac	1
20	LAFN05829	(12590xx-00001) Plate Stop Tube Suction	3
21	RCDS00024	(12590xx-00001) Connector	1
22	897649	(12590xx-00001) Filter, Motor, Vacfan	1
23	897432	(12590xx-00001) Washer, D. 10x21, Uni6592, Inox	1
24	897166	(12590xx-00001) Washer, D. 5, Inox	4
25	897106	(12590xx-00001) Washer, Flat, 6,00x11,00x1,6, Ss	9
26	897152	(12590xx-00001) Washer, D.8, Uni6592, Inox	1
27	897120	(12590xx-00001) Washer, D.8x24, Uni6593, Inox	1
28	9017737	(12590xx-00001) Float, Shutoff	1
29	MPVR13187	(12590xx-00001) Tank Recovery	1
30	MPVR04100	(12590xx-00001) Cap Vac	1
31	VTVT15961	(12590xx-00001) Fuse 2.5 A 250v 5x20	4
33	TBFX00280	(12590xx-00001) Hose	1
34	TBFX00100	(12590xx-00001) Tube	1
35	ITSO00034	(12590xx-00001) Pipe, Wool l42 L.250	1
36	TBBP00485	(12590xx-00001) Hose Assy, Drain, Recovery Tank, Pu	1
37	VTVT00888	(12590xx-00001) Screw Te M.6-100	3
38	897130	(12590xx-00001) Screw, Te, M6x12, Uni5739, A2	12
39	897184	(12590xx-00001) Screw, Te, M8x16, Uni5739, A2	1
40	VTVT00678	(12590xx-00001) Screw	2
41	MPVR06119	(12590xx-00001) Clamp Indication, Yellow	1
42	MEVR00001	(12590xx-00001) Sheathing, Recovery Tank	0,20
43	MEVR07039	(12590xx-00001) Connector Battery Sb50 Gray	1
44	9017783	(12590xx-00001) Fan, Vacuum	1
45	PMVR01141	(12590xx-00001) Tube, Air Outlet	1
46	KTRI04700	(12590xx-00001) Hose, Solution	1
47	LAFN11383	(12590xx-00001) Spacer	6
48	KTRI06401	(12590xx-00001) Kit, Label, T981 (Complete set)	1

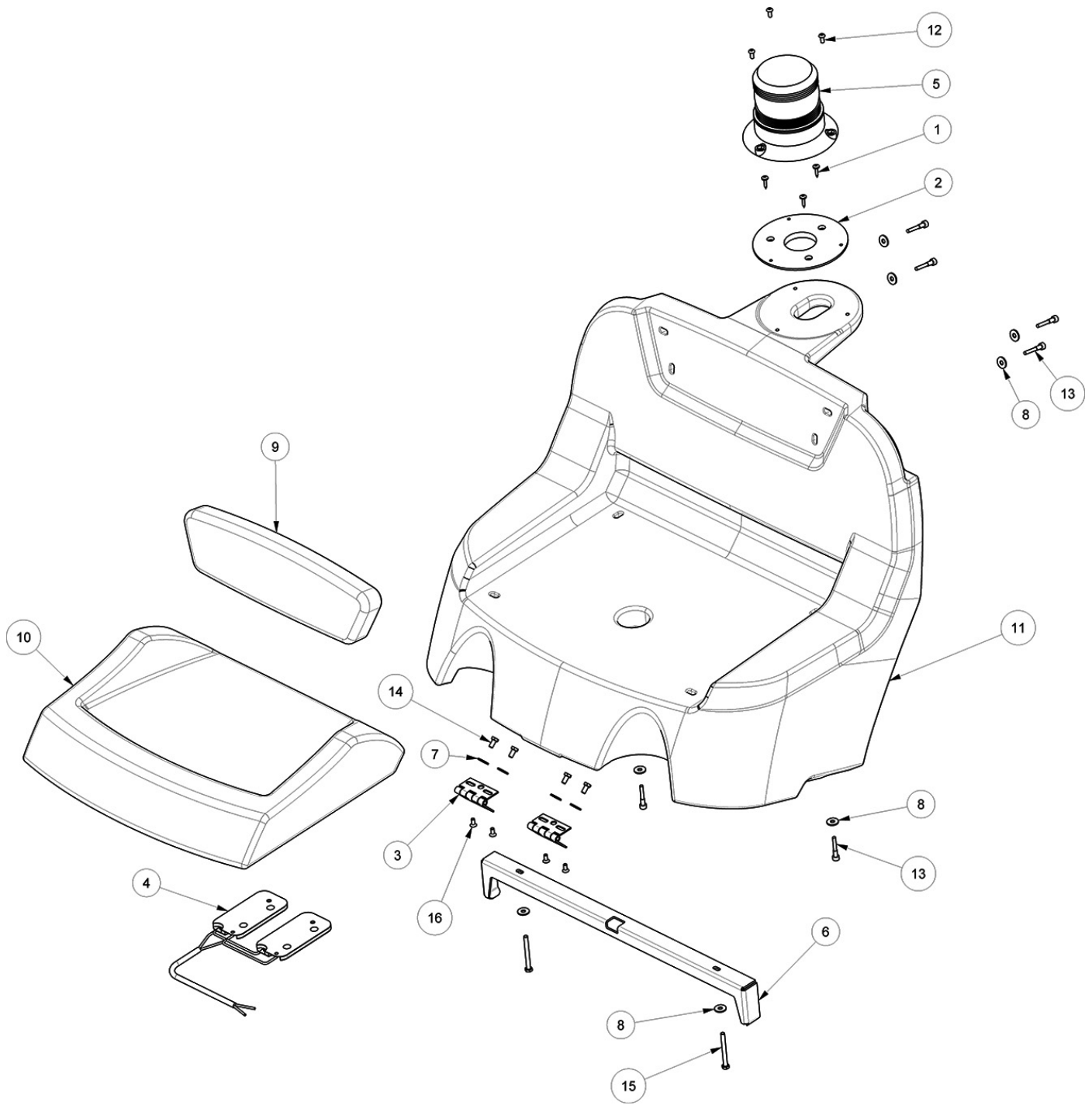
SOLUTION TANK GROUP



SOLUTION TANK GROUP

Ref.	Part No.	Serial Number	Description	Qty.
1	MPVR05064	(12590xx-00001) Cap	1
2	9017721	(12590xx-00001) Clip, Hose, Recvy	1
3	897257	(12590xx-00001) Clamp	4
4	FSVR00249	(12590xx-00001) Clamp	1
5	897174	(12590xx-00001) Filter Solution Tank Inlet	1
6	FTAC00038	(12590xx-00001) Filter, Assy, Solution	1
7	MPVR05240	(12590xx-00001) Ring	1
8	897361	(12590xx-00001) Crankcase Frontale 705 Grigio	1
9	GUGO00290	(12590xx-00001) Gasket	1
10	GUGO00427	(12590xx-00001) Gasket	1
11	9018454	(12590xx-00001) Water, Valve, Soltn	1
12	GUGO36290	(12590xx-00001) Ring, D. 17	1
13	MPVR03002	(12590xx-00001) Panel	1
14	PPEL00025	(12590xx-00001) Pump Est, 36v	1
15	RCVR01728	(12590xx-00001) Connector	1
16	RCVR00542	(12590xx-00001) Tube, Recovery Tank	1
17	RCVR00540	(12590xx-00001) Connector	1
18	RCVR00744	(12590xx-00001) Connector	1
19	RCVR00712	(12590xx-00001) Connector	1
20	RCVR00713	(12590xx-00001) Connector, Male	1
21	897458	(12590xx-00001) Washer 1/2	2
22	897106	(12590xx-00001) Washer, Flat, 6,00x11,00x1,6, Ss	2
23	897112	(12590xx-00001) Washer, Flat, 6,00x18,00x1,6	6
24	VTRS04026	(12590xx-00001) Washer D. 6x18x2.38	4
25	9017737	(12590xx-00001) Float, Shutoff	1
26	MPVR05860	(12590xx-00001) Tank Solution	1
27	MPVR49412	(12590xx-00001) Clamp Shk	1
28	MPVR04075	(12590xx-00001) Cap, Small	1
29	897256	(12590xx-00001) Tube Flex D.12x3 Armorv.Pvc Tr	1
30	897256	(12590xx-00001) Tube Flex D.12x3 Armorv.Pvc Tr	1
31	TBFX00208	(12590xx-00001) Tube Discharge	1
32	VTVT00892	(12590xx-00001) Vr, Screw, 5-20, Zn	4
33	RCDS49623	(12590xx-00001) Screw In Drain Cap	1
34	VTVT00640	(12590xx-00001) Screw Tbei M 6x 12 Iso 7380 lx	4
35	897130	(12590xx-00001) Screw, Te, M6x12, Uni5739, A2	2
36	VTVT00699	(12590xx-00001) Screw, M6x70	2
37	FTAC00047	(12590xx-00001) Filter	1
38	PMVR01139	(12590xx-00001) Hose, Drain, Solution Tank	1

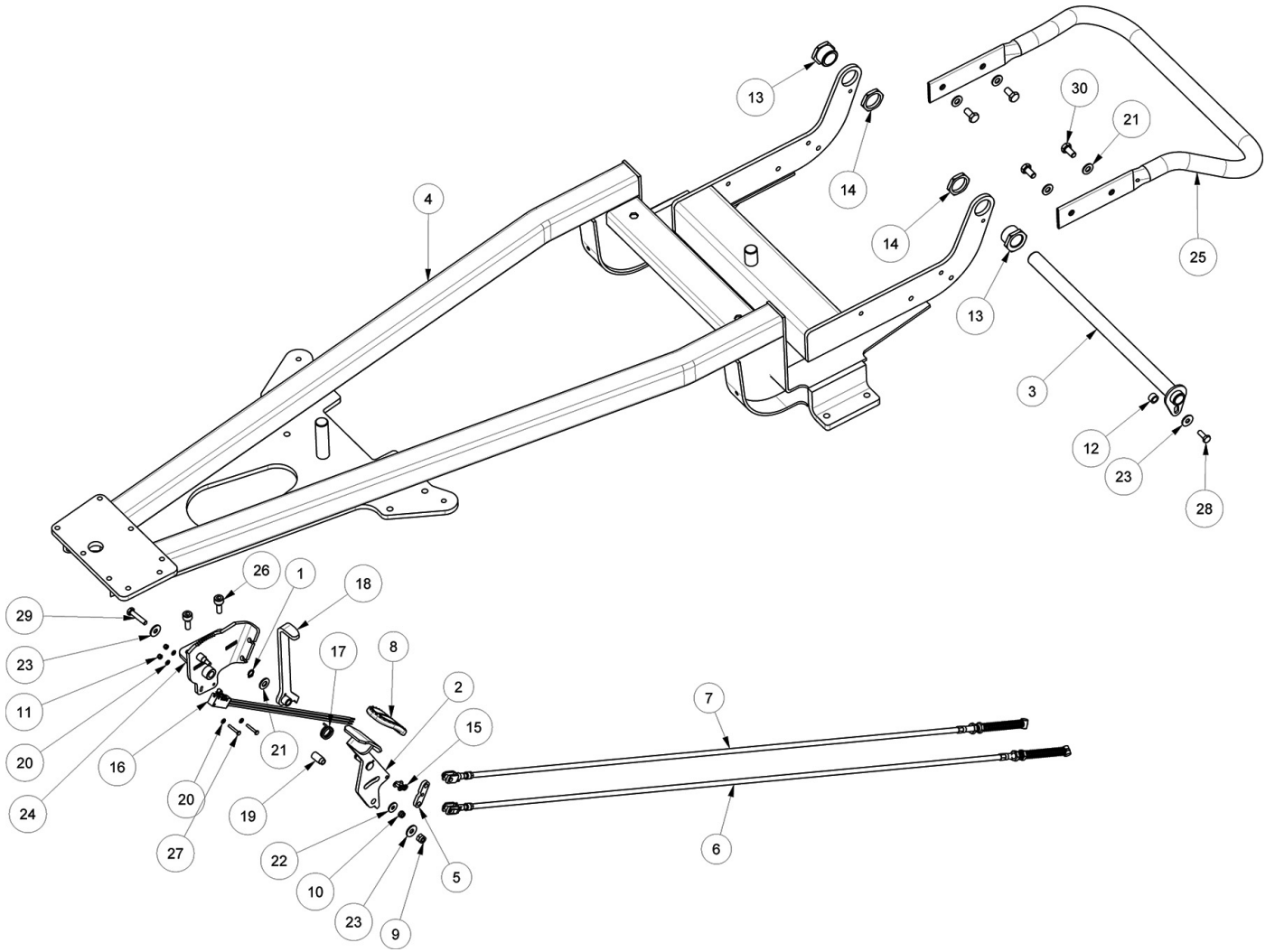
SEAT GROUP



SEAT GROUP

Ref.	Part No.	Serial Number	Description	Qty.
1	VTVT00752	(12590xx-00001) Screw Tc+ M.4,8-19	3
2	MPVR06103	(12590xx-00001) Bracket	1
3	CEVR00060	(12590xx-00001) Seat Hinge	2
4	897445	(12590xx-00001) Switch, Sensor, Seat	1
5	MELF00053	(12590xx-00001) Lamp	1
6	LAFN06824	(12590xx-00001) Spacer Bearing	1
7	897112	(12590xx-00001) Washer, Flat, 6,00x18,00x1,6	4
8	VTRS04026	(12590xx-00001) Washer D. 6x18x2.38	8
9	SESD00020	(12590xx-00001) Seat, Backrest	1
10	897444	(12590xx-00001) Seat	1
11	MPVR13189	(12590xx-00001) Support Seat	1
12	897559	(12590xx-00001) Screw Tbce Iso 7380 5x12	3
13	VTVT00729	(12590xx-00001) Screw Tcei M. 6-35	6
14	897130	(12590xx-00001) Screw, Te, M6x12, Uni5739, A2	4
15	897421	(12590xx-00001) Screw Te M6x60 Uni5739 Inox	2
16	VTVT00306	(12590xx-00001) Screw Tspei M5x12 Uni5933	4

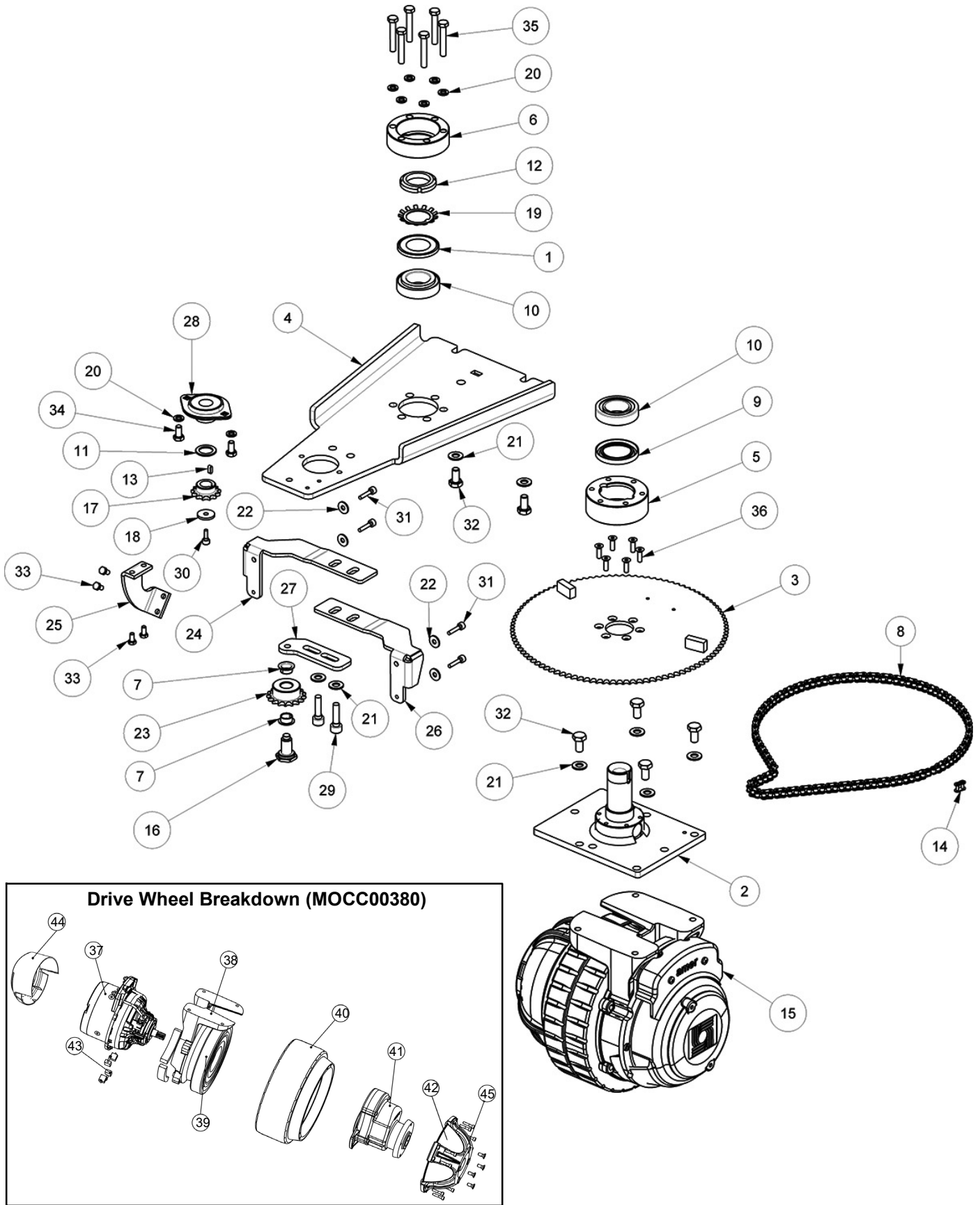
FRAME GROUP



FRAME GROUP

Ref.	Part No.	Serial Number	Description	Qty.
1	VTAE14096	(12590xx-00001) Clip, D.8, Din471	1
2	LAFN05767	(12590xx-00001) Pedal Brake	1
3	LAFN05805	(12590xx-00001) Shaft Wldt, Pivot, Tank	1
4	LAFN05790	(12590xx-00001) Frame Complete	1
5	LAFN05769	(12590xx-00001) Joint, Frame	1
6	CMCV00310	(12590xx-00001) Cable, Brake Right	1
7	CMCV00311	(12590xx-00001) Cable, Brake Left	1
8	MPVR45096	(12590xx-00001) Pedal Cover Large V1021	1
9	VTDD01699	(12590xx-00001) Nut M6 Inox+Zinc	1
10	VTDD01693	(12590xx-00001) Nut, M5, Inox	1
11	9018496	(12590xx-00001) Nut, Strap, Sqge	2
12	LAFN75911	(12590xx-00001) Spacer, D.12 H.7.	1
13	LAFN51079	(12590xx-00001) Nut, Side, Metal	2
14	LAFN51080	(12590xx-00001) Ring Nut	2
15	MTCR47037	(12590xx-00001) Chain, Steering, Link	1
16	MECI44780	(12590xx-00001) Hopper, Switch	1
17	MLML00237	(12590xx-00001) Spring Recall Pedal	1
18	LAFN51019	(12590xx-00001) Pedal Lock	1
19	LAFN04142	(12590xx-00001) Pin, Pedal Brake	1
20	VTRS00385	(12590xx-00001) Washer Uni 6592 3,2x7x0,5 Inox	4
21	897152	(12590xx-00001) Washer, D.8, Uni6592, Inox	5
22	897384	(12590xx-00001) Washer, M5x14, Inox	1
23	897112	(12590xx-00001) Washer, Flat, 6,00x18,00x1,6	3
24	LAFN05766	(12590xx-00001) Support Pedal, Cpl	1
25	LAFN06275	(12590xx-00001) Hose, Roll Bar	1
26	897377	(12590xx-00001) Screw Tcei M8x20 Uni5931 Inox	2
27	VTVT01350	(12590xx-00001) Screw, M3x20	2
28	897128	(12590xx-00001) Screw Te 6x16 Uni5739	1
29	VTVT00433	(12590xx-00001) Screw, M6x30	1
30	897184	(12590xx-00001) Screw, Te, M8x16, Uni5739, A2	4

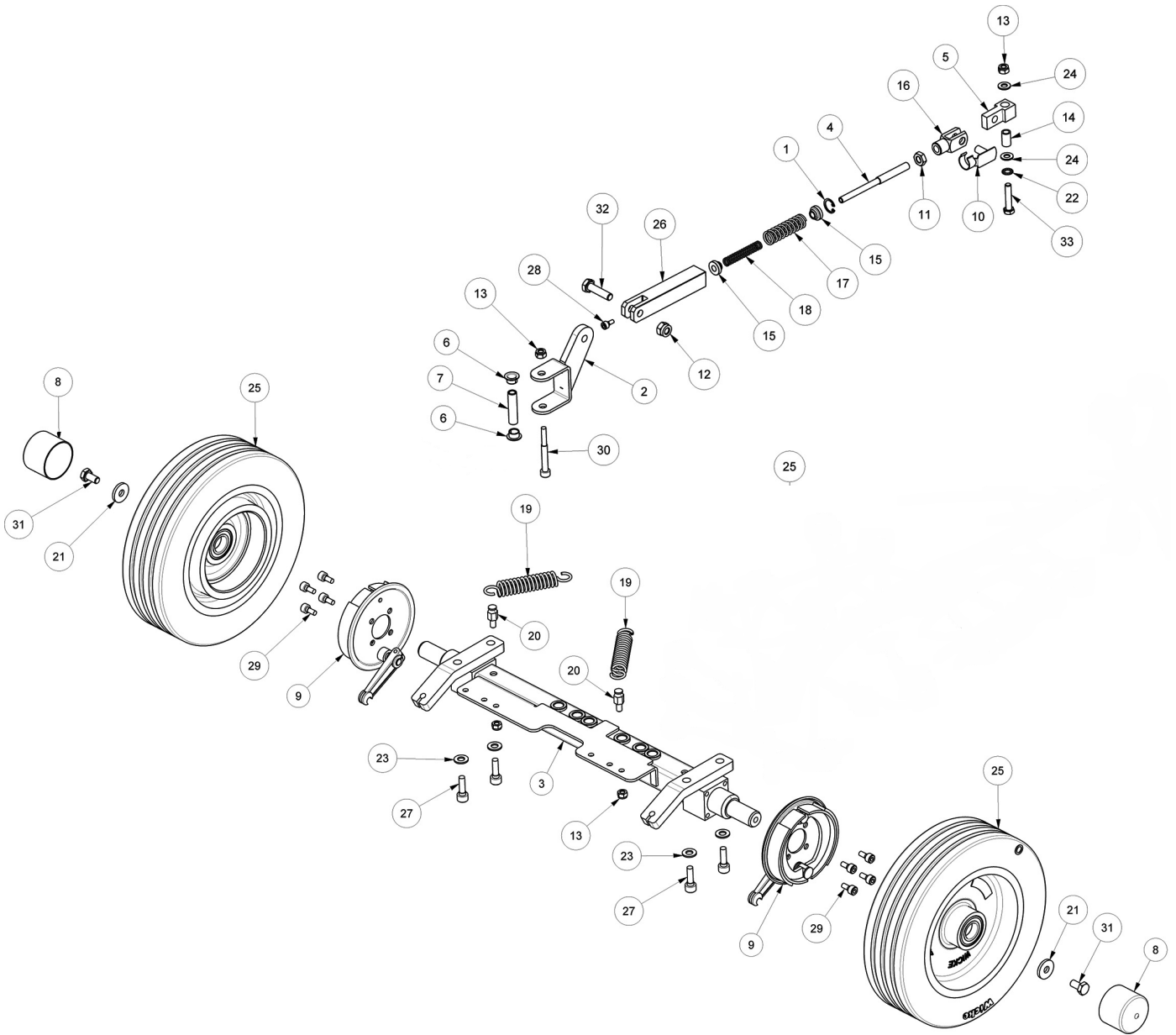
DRIVE WHEEL GROUP



DRIVE WHEEL GROUP

Ref.	Part No.	Serial Number	Description	Qty.
1	PVVR01018	(12590xx-00001) Ring Nilos 32007 X Av	1
2	LAFN11201	(12590xx-00001) Cap Per Hose D.20	1
3	LAFN05764	(12590xx-00001) Plate, Wheel	1
4	LAFN05763	(12590xx-00001) Plate, Assembled, Steering	1
5	LAFN11202	(12590xx-00001) Bearing Bush	1
6	LAFN11203	(12590xx-00001) Bearing Bush	1
7	CUVR00192	(12590xx-00001) Brush Block Ring	2
8	MTCR00085	(12590xx-00001) Chain, 3/8inch	1
9	GUVR00565	(12590xx-00001) Gasket 3760 A 40x62x7	1
10	CUVR00264	(12590xx-00001) Bearing 32007x	2
11	LAFN07030	(12590xx-00001) Spacer, Direction	1
12	VTVR75747	(12590xx-00001) Nut, M35x1,5	1
13	VTVR00229	(12590xx-00001) Key 5x5x12	1
14	MTCR47037	(12590xx-00001) Chain, Steering, Link	1
15	MOCC00380	(12590xx-00001) Motor Wheel 36v	1
16	LAFN11196	(12590xx-00001) Pin	1
17	MTCR00070	(12590xx-00001) Pin, Steering Shaft	1
18	LAFN04134	(12590xx-00001) Washer Pinion Steering	1
19	VTRS00595	(12590xx-00001) Washer Mb 7 Din5406	1
20	897216	(12590xx-00001) Washer, D. 8, Grw, Uni1751, Inox	8
21	897432	(12590xx-00001) Washer, D. 10x21, Uni6592, Inox	8
22	897112	(12590xx-00001) Washer, Flat, 6,00x18,00x1,6	4
23	MTPL00238	(12590xx-00001) Roller	1
24	LAFN06486	(12590xx-00001) Bracket	1
25	LAFN05795	(12590xx-00001) Bracket, Mount, Pump	1
26	LAFN06487	(12590xx-00001) Bracket	1
27	LAFN11195	(12590xx-00001) Support	1
28	897283	(12590xx-00001) Support	1
29	VTVT00411	(12590xx-00001) Screw Tcei M10x35 Uni5931	2
30	897352	(12590xx-00001) Screw, Tcei, M.6x16	1
31	VTVT12255	(12590xx-00001) Screw Tcce Uni 5931 6x25 Zb	4
32	VTVT13936	(12590xx-00001) Screw, M10x20	6
33	897130	(12590xx-00001) Screw, Te, M6x12, Uni5739, A2	4
34	897184	(12590xx-00001) Screw, Te, M8x16, Uni5739, A2	2
35	897232	(12590xx-00001) Screw, Te, M8x50, Inox, A2	6
36	897277	(12590xx-00001) Screw, Tspei, M6x20, Uni5933	6
37	MOCC00398	(12590xx-00001) Drive Motor Mp100	1
38	MFVR00290	(12590xx-00001) Support Aluminium Motor wheel	1
39	CUVR00194	(12590xx-00001) Bearing, 61926, 2rs	1
40	RTRT00533	(12590xx-00001) Motor Wheel, Ring Replmt	1
41	RDGR00039	(12590xx-00001) Reduction Unit	1
42	MPVR08044	(12590xx-00001) Right Motor Wheel, Cover	1
43	MEVR00985	(12590xx-00001) Vr, Brush Kit, Motor, Traction	4
44	MPVR04999	(12590xx-00001) Cover, Top, Motorwheel	1
45	MFVR00295	(12590xx-00001) Gearbox, Motor Wheel Support	1

REAR WHEEL GROUP

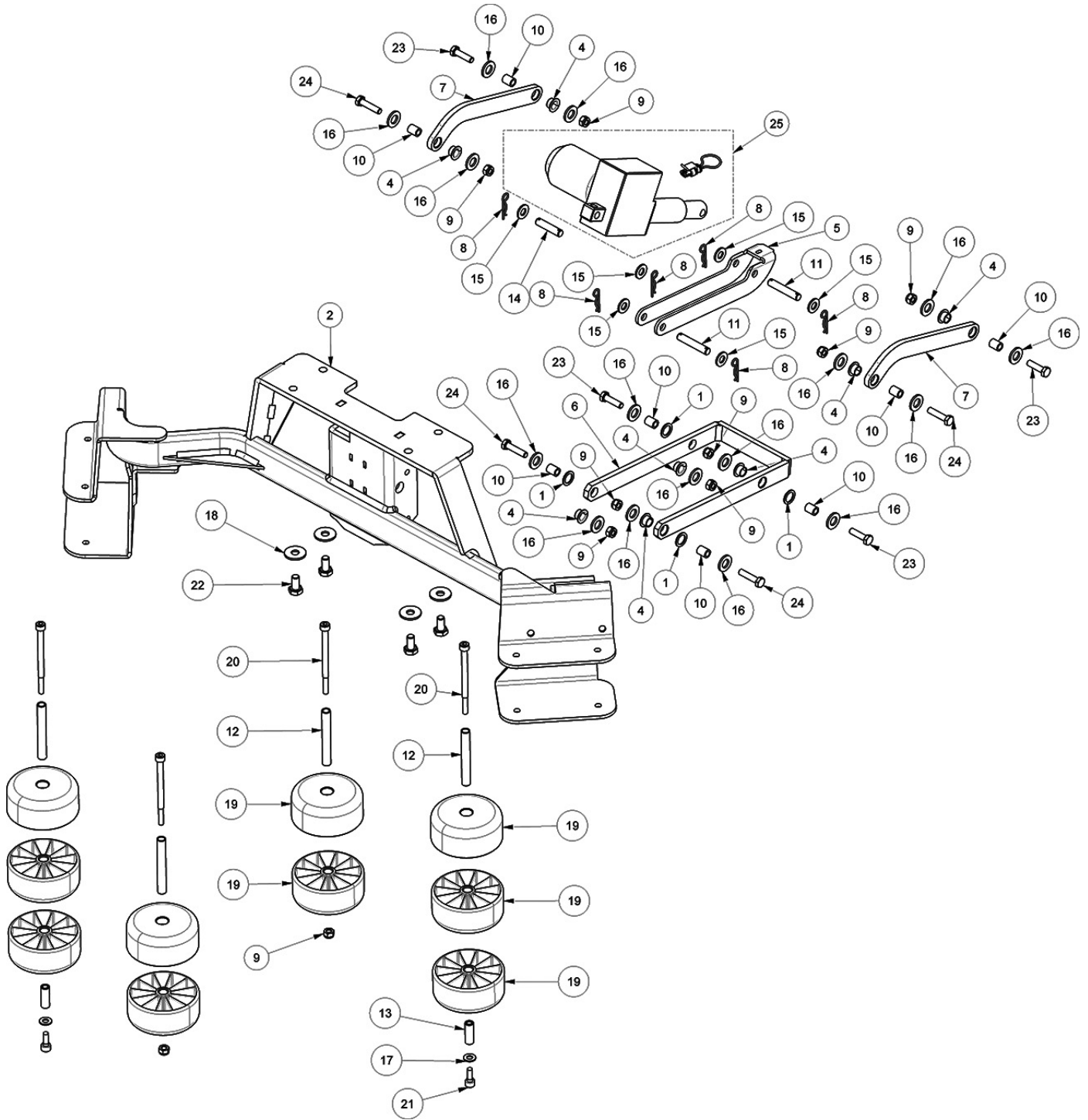


REAR WHEEL GROUP

Ref.	Part No.	Serial Number	Description	Qty.
1	VTAE00009	(12590xx-00001) Washer 472 D.20	1
2	LAFN05778	(12590xx-00001) Joint, Horizontal	1
3	LAFN07957	(12590xx-00001) Axle	1
4	LAFN06819	(12590xx-00001) Hose Shock Absorber Wiper	1
5	LAFN04124	(12590xx-00001) Joint, Block, Parallel	1
6	CUVR00130	(12590xx-00001) Bearing, 1208-20t	2
7	LAFN07879	(12590xx-00001) Bushing	1
8	MPVR12162	(12590xx-00001) Cap 60,34x44,46	2
9	RTRT45090	(12590xx-00001) Brake Harness Holder D.125	2
10	CMCV33364	(12590xx-00001) Clip	1
11	VTDD00151	(12590xx-00001) Nut M,10	1
12	897414	(12590xx-00001) Nut M10 Inox	1
13	VTDD01701	(12590xx-00001) Nut, M8, Inox	4
14	LAFN04158	(12590xx-00001) Spacer Parallel, Wiper	1
15	LAFN06818	(12590xx-00001) Hose Spring Shock Absorber	2
16	CMCV33359	(12590xx-00001) Joint	1
17	MLML00290	(12590xx-00001) Spring, Shock Absorber Wiper	1
18	MLML00300	(12590xx-00001) Spring, Left	1
19	MLML00241	(12590xx-00001) Spring Top Brush	2
20	LAFN04143	(12590xx-00001) Pin Fixed Spring	2
21	LAFN04144	(12590xx-00001) Washer, Rear Wheels	2
22	897185	(12590xx-00001) Washer, D. 8, Din6798-A, Inox, A2	1
23	VTRS00505	(12590xx-00001) Washer, D.10	4
24	897152	(12590xx-00001) Washer, D.8, Uni6592, Inox	2
25	RTRT00795	(12590xx-00001) Wheel 305/80-205/K	2
26	LAFN06817	(12590xx-00001) Hose, Shockabsorber	1
27	897413	(12590xx-00001) Screw, Tcei, M10x30	4
28	VTVT01314	(12590xx-00001) Screw Tcei M6 X 12 Inox	1
29	897347	(12590xx-00001) Screw, Tcei, M.8x16	8
30	VTVT01148	(12590xx-00001) Screw Tcei,M8x70	1
31	VTVT13936	(12590xx-00001) Screw, M10x20	2
32	VTVT01549	(12590xx-00001) Screw Te,M10,40	1
33	897536	(12590xx-00001) Screw, Te, M.8x40	1

PARTS LIST

SCRUB HEAD LIFT AND BUMPER GROUP (80cm Disk Model)

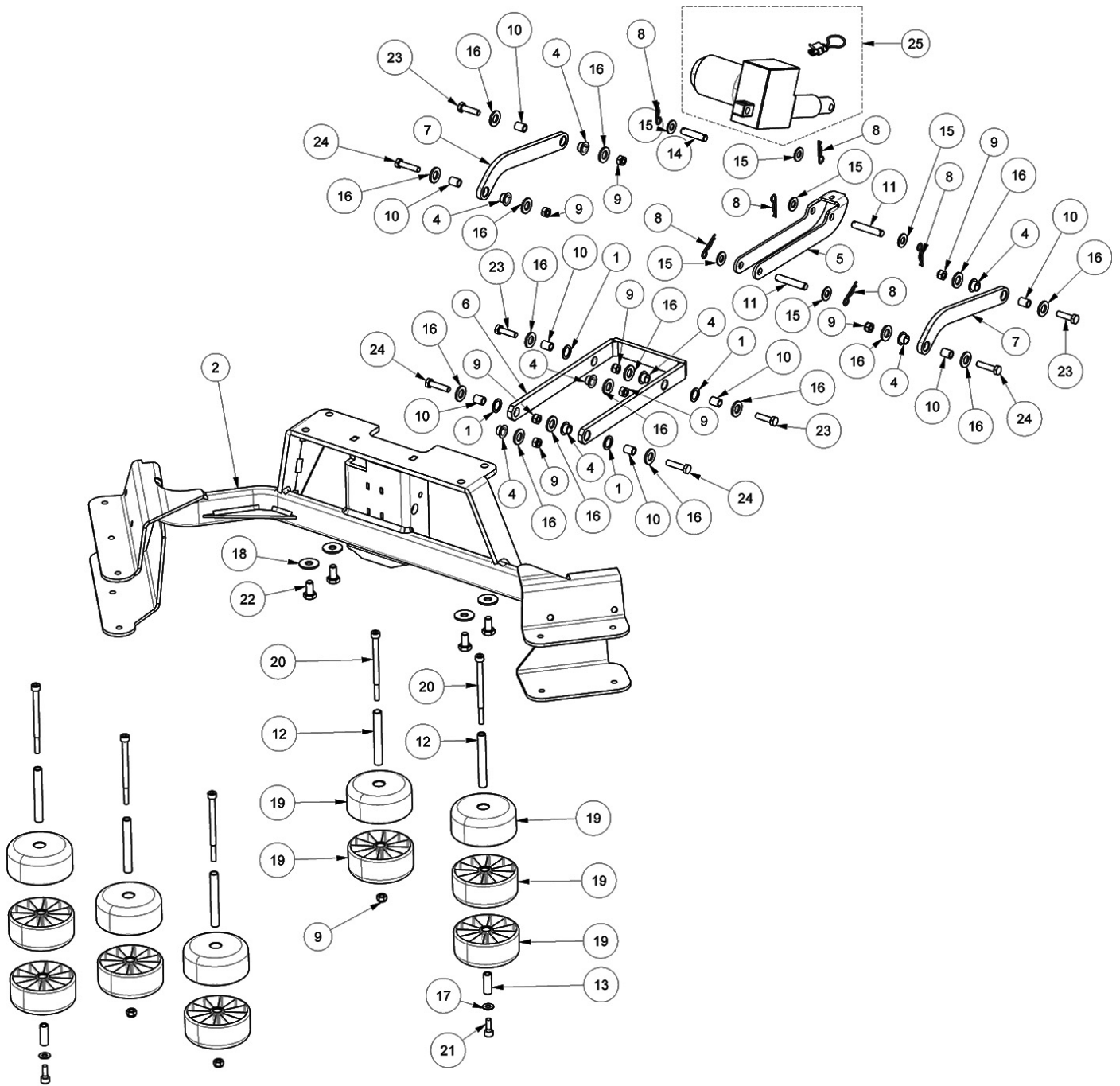


SCRUB HEAD LIFT AND BUMPER GROUP (80cm Disk Model)

Ref.	Part No.	Serial Number	Description	Qty.
1	VTRS00376	(12590xx-00001) Washer 15x21	4
2	LAFN05936	(12590xx-00001) Plate, Metal, Header	1
3	MOCC00304	(12590xx-00001) Actuator Head	1
4	CUVR00130	(12590xx-00001) Bearing, 1208-20t	8
5	LAFN05781	(12590xx-00001) Arm, Actuator	1
6	LAFN08912	(12590xx-00001) Arm	1
7	LAFN08911	(12590xx-00001) Spacer	2
8	VTVR47052	(12590xx-00001) Pin, Wire, Split	6
9	VTDD01701	(12590xx-00001) Nut, M8, Inox	10
10	897526	(12590xx-00001) Bushing, Sleeve, 8b 12d 15l	8
11	LAFN11135	(12590xx-00001) Pin	2
12	LAFN04127	(12590xx-00001) Pin Bumper Roller	4
13	LAFN06472	(12590xx-00001) Bumper Wheel, Spacer	2
14	LAFN11136	(12590xx-00001) Pin	1
15	897432	(12590xx-00001) Washer, D. 10x21, Uni6592, Inox	6
16	897215	(12590xx-00001) Washer, D.12x24, Uni6592, Inox	16
17	897152	(12590xx-00001) Washer, D.8, Uni6592, Inox	2
18	897391	(12590xx-00001) Washer D.10	4
19	RTRT00510	(12590xx-00001) Wheel, Anti Shock	10
20	VTVT67560	(12590xx-00001) Screw Tcei, M8x110, Inox, Aisi304	4
21	897377	(12590xx-00001) Screw Tcei M8x20 Uni5931 Inox	2
22	VTVT13936	(12590xx-00001) Screw, M10x20	4
23	897246	(12590xx-00001) Screw, Te, M8x30, Uni5739, Inox	4
24	897243	(12590xx-00001) Screw Te M8x35 Uni5739 Inox	4
25	KTRI02060	(12590xx-00001) Actuator, Brush Head	1

PARTS LIST

SCRUB HEAD LIFT AND BUMPER GROUP (90cm Disk Model)

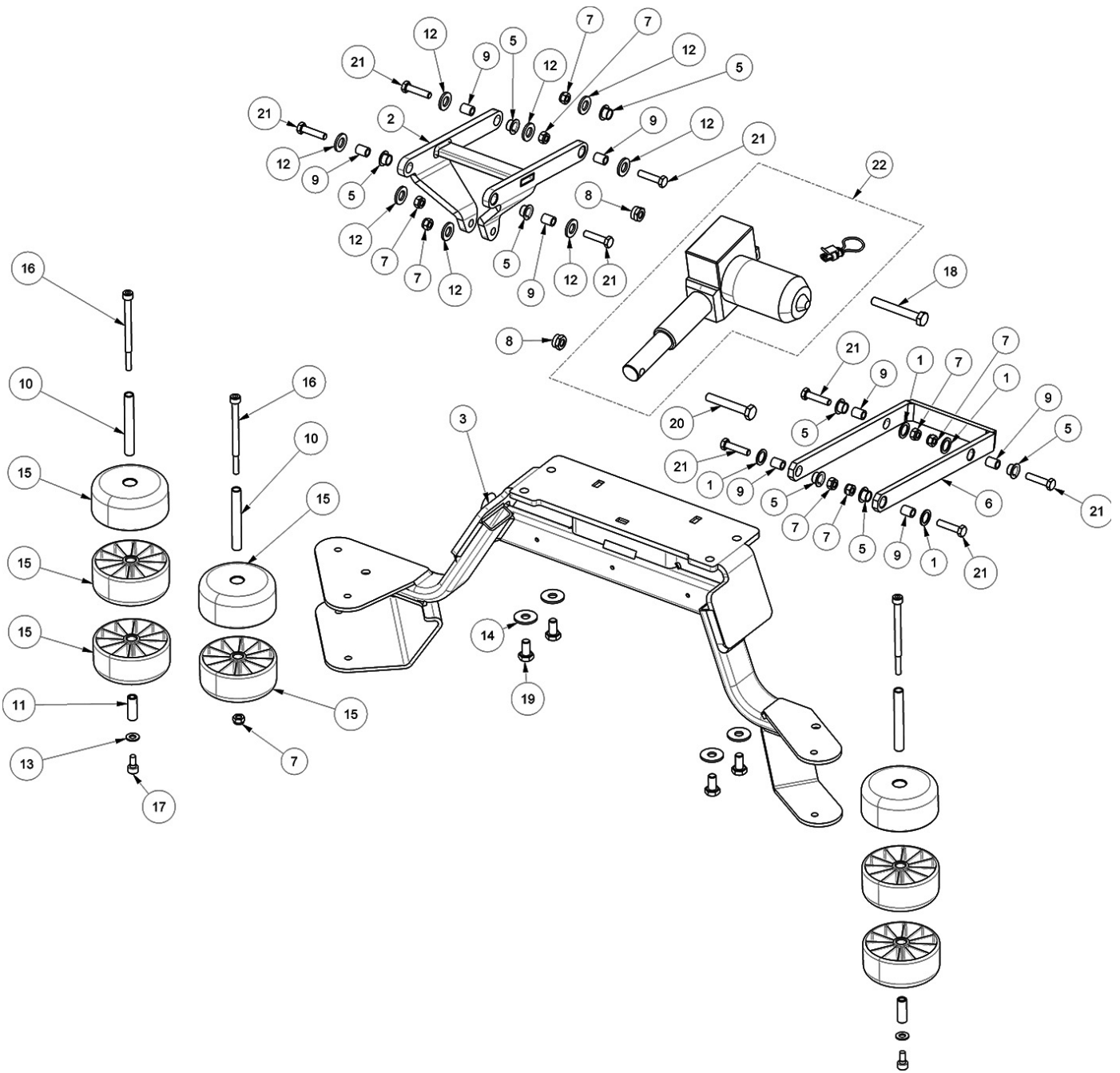


SCRUB HEAD LIFT AND BUMPER GROUP (90cm Disk Model)

Ref.	Part No.	Serial Number	Description	Qty.
1	VTRS00376	(12590xx-00001) Washer 15x21	4
2	LAFN05905	(12590xx-00001) Plate, Metal, Header	1
3	MOCC00304	(12590xx-00001) Actuator Head	1
4	CUVR00130	(12590xx-00001) Bearing, 1208-20t	8
5	LAFN05781	(12590xx-00001) Arm, Attuator	1
6	LAFN08912	(12590xx-00001) Arm	1
7	LAFN08911	(12590xx-00001) Spacer	2
8	VTVR47052	(12590xx-00001) Pin, Wire, Split	6
9	VTDD01701	(12590xx-00001) Nut, M8, Inox	11
10	897526	(12590xx-00001) Bushing, Sleeve, 8b 12d 15l	8
11	LAFN11135	(12590xx-00001) Pin	2
12	LAFN04127	(12590xx-00001) Pin Bumper Roller	5
13	LAFN06472	(12590xx-00001) Bumper Wheel, Spacer	2
14	LAFN11136	(12590xx-00001) Pin	1
15	897432	(12590xx-00001) Washer, D. 10x21, Uni6592, Inox	6
16	897215	(12590xx-00001) Washer, D.12x24, Uni6592, Inox	16
17	897152	(12590xx-00001) Washer, D.8, Uni6592, Inox	2
18	897391	(12590xx-00001) Washer D.10	4
19	RTRT00510	(12590xx-00001) Wheel, Anti Shock	12
20	VTVT67560	(12590xx-00001) Screw Tcei, M8x110, Inox, Aisi304	5
21	897377	(12590xx-00001) Screw Tcei M8x20 Uni5931 Inox	2
22	VTVT13936	(12590xx-00001) Screw, M10x20	4
23	897246	(12590xx-00001) Screw, Te, M8x30, Uni5739, Inox	4
24	897243	(12590xx-00001) Screw Te M8x35 Uni5739 Inox	4
25	KTRI02060	(12590xx-00001) Actuator, Brush Head	1

PARTS LIST

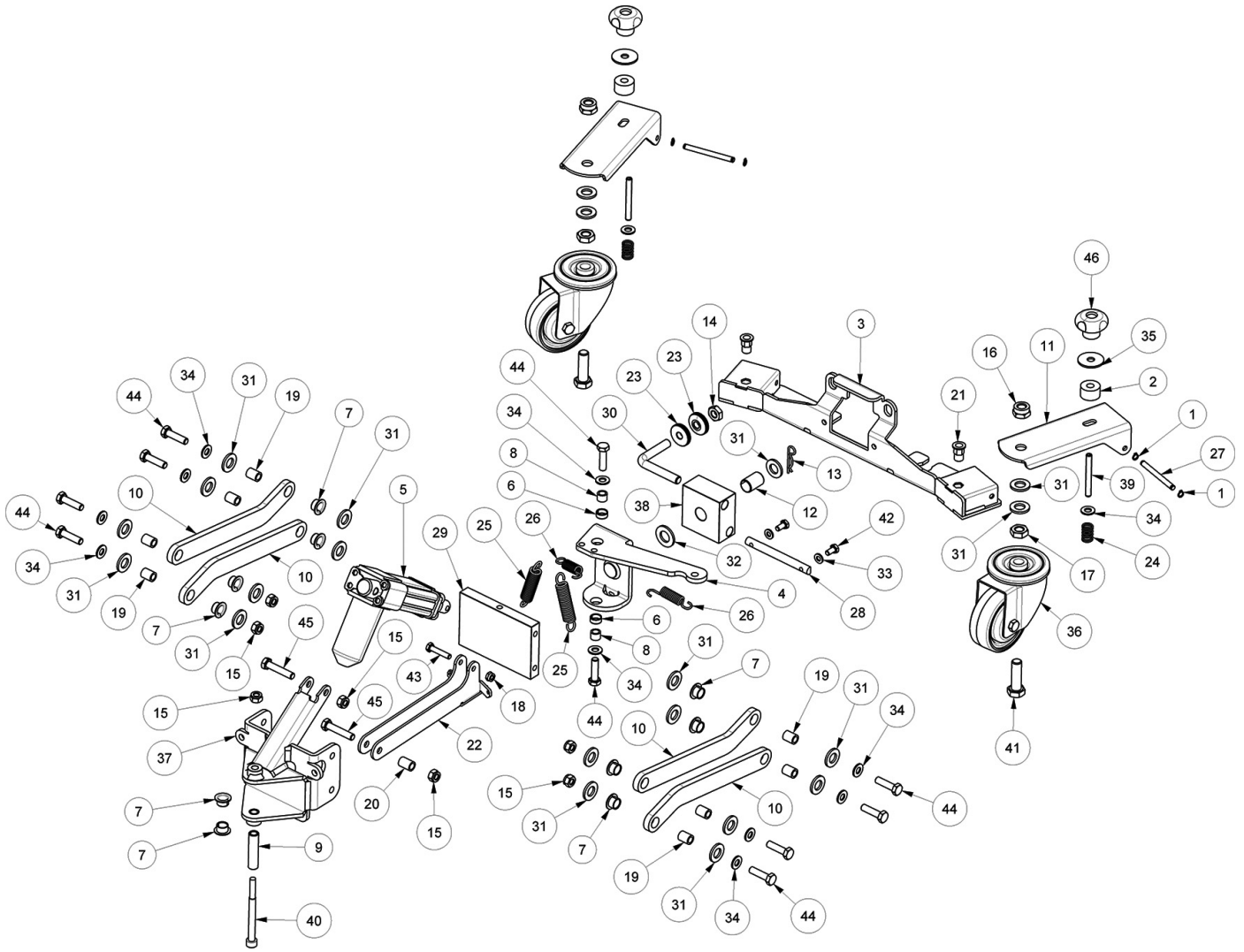
SCRUB HEAD LIFT AND BUMPER GROUP (Cylindrical Brush Model)



SCRUB HEAD LIFT AND BUMPER GROUP (Cylindrical Brush Model)

Ref.	Part No.	Serial Number	Description	Qty.
1	VTRS00376	(1259036-00001) Washer 15x21	4
2	LAFN08939	(1259036-00001) Bracket	1
3	LAFN05924	(1259036-00001) Plate, Assembled, Roll-Bar	1
4	MOCC00304	(1259036-00001) Actuator Head	1
5	CUVR00130	(1259036-00001) Bearing, 1208-20t	8
6	LAFN08912	(1259036-00001) Arm	1
7	VTDD01701	(1259036-00001) Nut, M8, Inox	9
8	897431	(1259036-00001) Nut Autobl.M10 Inox Din 985	2
9	897526	(1259036-00001) Bushing, Sleeve, 8b 12d 15l	8
10	LAFN04127	(1259036-00001) Pin Bumper Roller	3
11	LAFN06472	(1259036-00001) Bumper Wheel, Spacer	2
12	897215	(1259036-00001) Washer, D.12x24, Uni6592, Inox	8
13	897152	(1259036-00001) Washer, D.8, Uni6592, Inox	2
14	897391	(1259036-00001) Washer D.10	4
15	RTRT00510	(1259036-00001) Wheel, Anti Shock	8
16	VTVT67560	(1259036-00001) Screw Tcei, M8x110, Inox, Aisi304	3
17	897347	(1259036-00001) Screw, Tcei, M.8x16	2
18	VTVT01000	(1259036-00001) Screw Te M 10-75 Inox Uni 5737	1
19	VTVT13936	(1259036-00001) Screw, M10x20	4
20	VTVT01002	(1259036-00001) Screw Te M10x65 Inox	1
21	897243	(1259036-00001) Screw Te M8x35 Uni5739 Inox	8
22	KTRI02060	(1259036-00001) Actuator, Brush Head	1

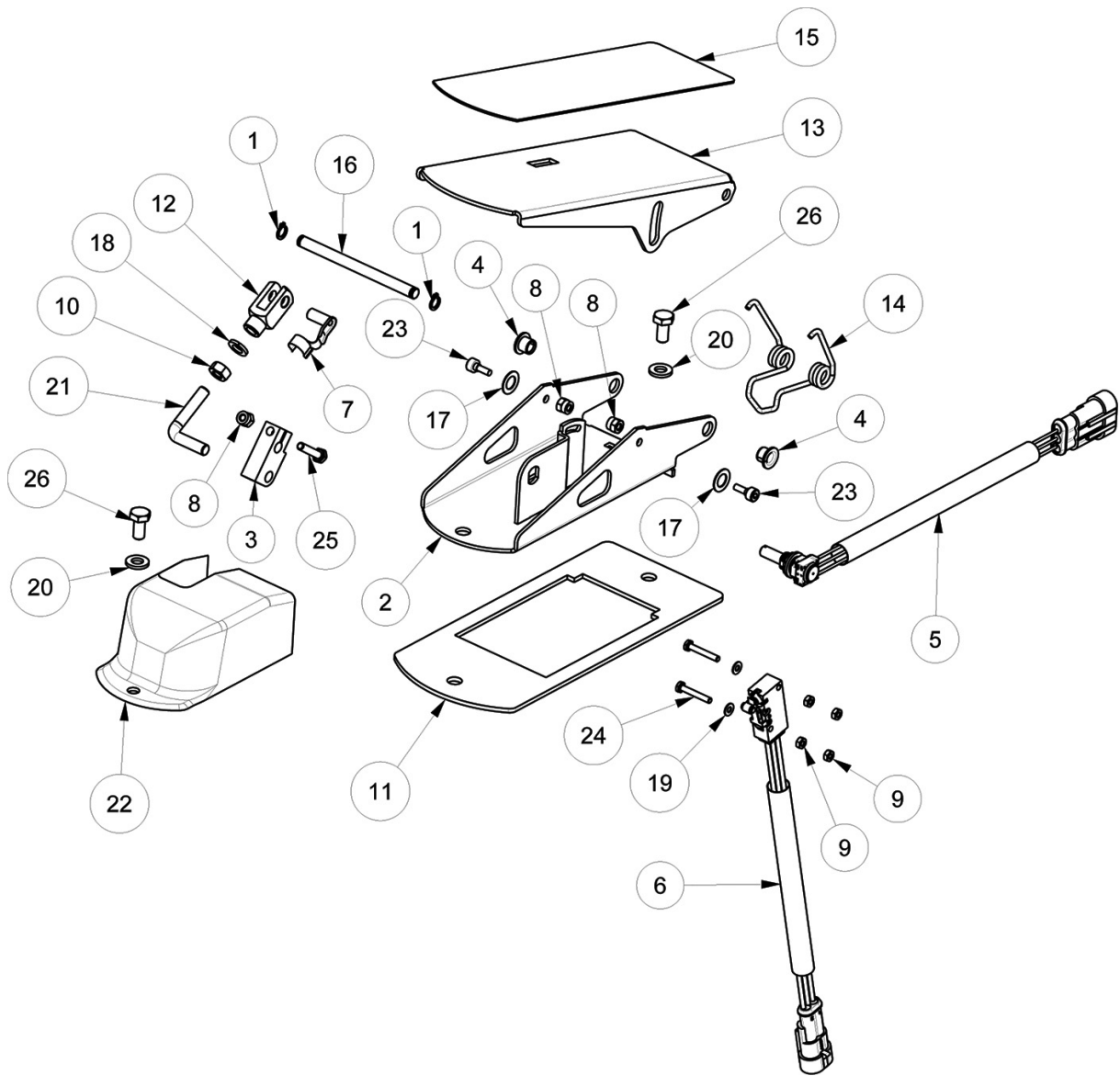
SQUEEGEE LIFT BRACKET GROUP



SQUEEGEE LIFT BRACKET GROUP

Ref.	Part No.	Serial Number	Description	Qty.
1	VTAE48552	(12590xx-00001) Clip External Din 471 D.6	4
2	ABGO00042	(12590xx-00001) Isolator, Sqge	2
3	LAFN11247	(12590xx-00001) Plate, Metal, Squeegee	1
4	LAFN11233	(12590xx-00001) Joint, Squeegee	1
5	MOCC00394	(12590xx-00001) Actuator	1
6	LAFN11228	(12590xx-00001) Bushing	2
7	CUVR00130	(12590xx-00001) Bearing, 1208-20t	10
8	897336	(12590xx-00001) Bushing D. 9x12x 8.3	2
9	LAFN07879	(12590xx-00001) Bushing	1
10	LAFN11470	(12590xx-00001) Arm	4
11	LAFN08993	(12590xx-00001) Arm Wheel Holder	2
12	MPVR05638	(12590xx-00001) Bushing Glycodur	1
13	VTVR47052	(12590xx-00001) Pin, Wire, Split	1
14	VTDD00151	(12590xx-00001) Nut M,10	1
15	VTDD01701	(12590xx-00001) Nut, M8, Inox	7
16	897241	(12590xx-00001) Nut, M.12, Inox, A2	2
17	VTDD00502	(12590xx-00001) Nut, M12	2
18	897105	(12590xx-00001) Nut, M6, Inox	1
19	897526	(12590xx-00001) Bushing, Sleeve, 8b 12d 15l	8
20	LAFN04139	(12590xx-00001) Spacer, Joint, Wiper	1
21	VTVR00022	(12590xx-00001) Insert,Hexagonal,Thread, M8	2
22	LAFN05777	(12590xx-00001) Lever, Lift, Wiper	1
23	LAFN04136	(12590xx-00001) Knob, Wiper	2
24	MLML00239	(12590xx-00001) Spring For Wheel	2
25	MLML00022	(12590xx-00001) Spring Hook Harness	2
26	MLML00242	(12590xx-00001) Spring Lever Wiper	2
27	LAFN04150	(12590xx-00001) Pin Wiper Arm Wheel	2
28	LAFN04123	(12590xx-00001) Pin, Sppt, Sqge	1
29	LAFN04125	(12590xx-00001) Plate, Sqge, Mechanism	1
30	LAFN04135	(12590xx-00001) Pin	1
31	897215	(12590xx-00001) Washer, D.12x24, Uni6592, Inox	21
32	897538	(12590xx-00001) Washer D.14	1
33	897106	(12590xx-00001) Washer, Flat, 6,00x11,00x1,6, Ss	2
34	897152	(12590xx-00001) Washer, D.8, Uni6592, Inox	12
35	897375	(12590xx-00001) Washer, D. 8 X32, Uni6593, Inox	2
36	RTRT00518	(12590xx-00001) Wheel Swivel	2
37	LAFN05780	(12590xx-00001) Joint, Doorwiper	1
38	LAFN04122	(12590xx-00001) Squeegee Pivot Block	1
39	VTVT01355	(12590xx-00001) Screw M8x60 Uni5923	2
40	VTVT01701	(12590xx-00001) Stud Bolt, M8x90	1
41	VTVT00995	(12590xx-00001) Screw Te M12x40	2
42	897130	(12590xx-00001) Screw, Te, M6x12, Uni5739, A2	2
43	VTVT00433	(12590xx-00001) Screw, M6x30	1
44	897246	(12590xx-00001) Screw, Te, M8x30, Uni5739, Inox	10
45	897536	(12590xx-00001) Screw, Te, M.8x40	2
46	VTVR35378	(12590xx-00001) Knob, 8MAX20 D.40	2

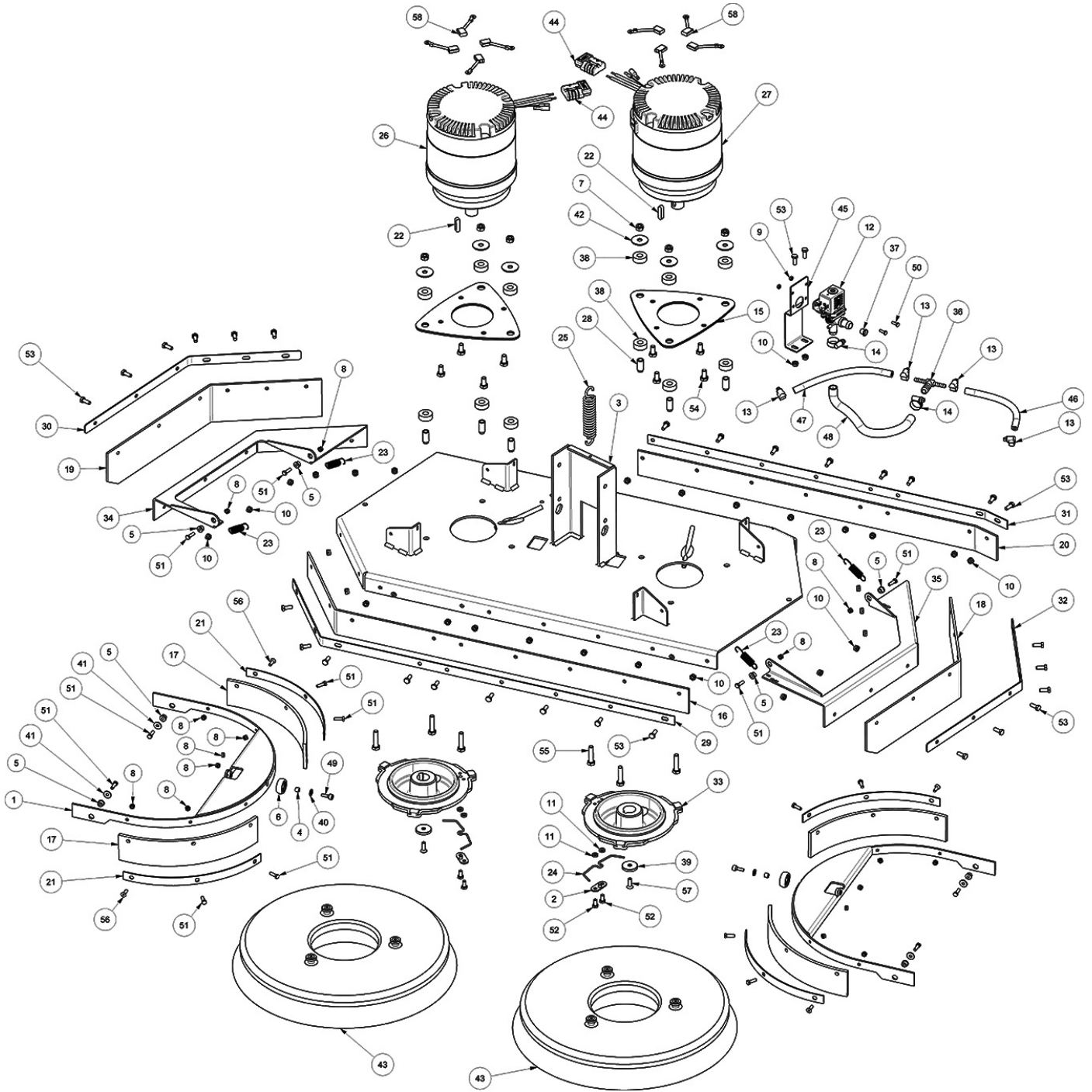
ACCELERATOR PEDAL GROUP



ACCELERATOR PEDAL GROUP

Ref.	Part No.	Serial Number	Description	Qty.
1	VTAE48552	(12590xx-00001) Clip External Din 471 D.6	2
2	LAFN07532	(12590xx-00001) Base	1
3	LAFN01149	(12590xx-00001) Rod, Connecting, Pedal Step	1
4	CUVR00183	(12590xx-00001) Bushing	2
5	MECB01227	(12590xx-00001) Potentiometer, Traction	1
6	MECB01228	(12590xx-00001) Contact, Micro, Pedal	1
7	CMCV75717	(12590xx-00001) Clip Uni 1676 M6	1
8	VTDD04369	(12590xx-00001) Nut M4 Tef Uni7473	3
9	897189	(12590xx-00001) Nut, M3, Inox	4
10	VTDD00482	(12590xx-00001) Nut M 6 Zin Uni 5588	1
11	LAFN05802	(12590xx-00001) Flange Pedal Accelerator	1
12	CMCV76639	(12590xx-00001) Fork M 6 Uni 1676	1
13	LAFN06474	(12590xx-00001) Plate, Pedal	1
14	MLML00034	(12590xx-00001) Pedal Spring	1
15	MPVR00866	(12590xx-00001) Plate, Slip	1
16	LAFN00524	(12590xx-00001) Pin Pedal Tk 1050	1
17	MPVR05528	(12590xx-00001) Washer	2
18	897129	(12590xx-00001) Washer, D.6, Grw, Uni1751, Inox	1
19	VTRS00385	(12590xx-00001) Washer Uni 6592 3,2x7x0,5 Inox	2
20	VTRS00503	(12590xx-00001) Washer, D. 6	2
21	LAFN00909	(12590xx-00001) Bracket Pedal Wire	1
22	MPVR00302	(12590xx-00001) Crankcase Feeder Pedal	1
23	VTVT00089	(12590xx-00001) Screw Tcce Uni 5931 4x10 Zb	2
24	VTVT01350	(12590xx-00001) Screw, M3x20	2
25	VTVT00727	(12590xx-00001) Screw Te M 4,20	1
26	897130	(12590xx-00001) Screw, Te, M6x12, Uni5739, A2	2

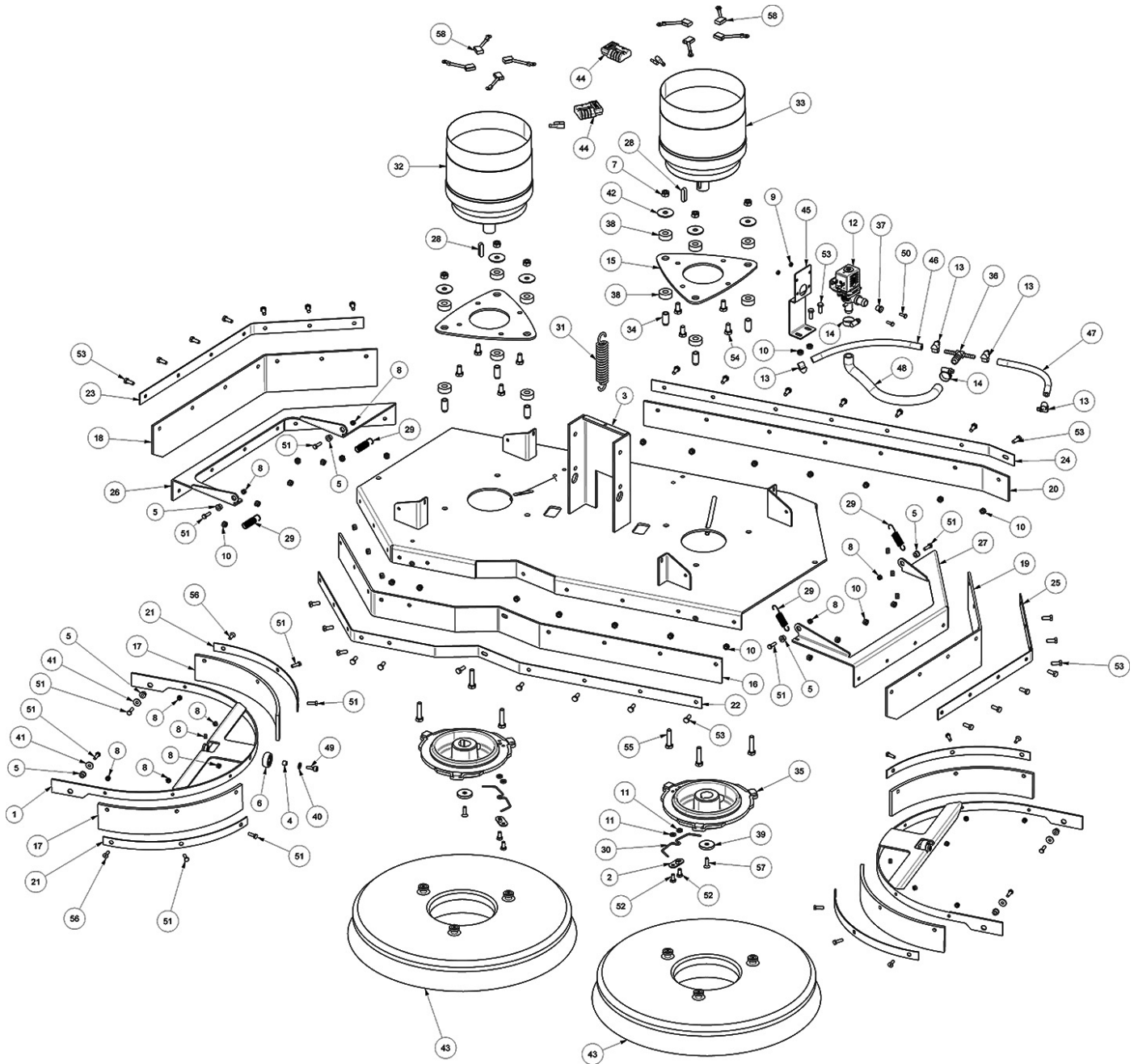
SCRUB HEAD GROUP (80cm Disk Model)



SCRUB HEAD GROUP (80cm Disk Model)

Ref.	Part No.	Serial Number	Description	Qty.
1	LAFN11207	(1259039-00001) Plate	2
2	LAFN05797	(1259039-00001) Plate, Spring	2
3	LAFN05917	(1259039-00001) Support, Brush Head	1
4	897231	(1259039-00001) Bushing	2
5	CUVR00140	(1259039-00001) Bushing, Center	8
6	897524	(1259039-00001) Bearing, Ball, 8b 30d 11w	2
7	VTDD01701	(1259039-00001) Nut, M8, Inox	6
8	VTDD01693	(1259039-00001) Nut, M5, Inox	16
9	VTDD00147	(1259039-00001) Nut M 4 Inx U.5588	2
10	897105	(1259039-00001) Nut, M6, Inox	31
11	LAFN04140	(1259039-00001) Spacer X Spring	4
12	MEEV00043	(1259039-00001) Solenoid Valve	1
13	FSVR00096	(1259039-00001) Clamp 1016 Inox	4
14	897362	(1259039-00001) Clamp, Hose, Wormdrive, 12- 20d	2
15	LAFN05785	(1259039-00001) Flange Door Motor	2
16	MPVR02855	(1259039-00001) Flap, Front	1
17	MPVR02856	(1259039-00001) Flap, Locator	4
18	MPVR02854	(1259039-00001) Flap Lh Side Brush Head	1
19	MPVR02853	(1259039-00001) Flap Rh Side Brush Head	1
20	MPVR02852	(1259039-00001) Flap, Brush Head, Rear	1
21	LAFN05933	(1259039-00001) Plate	4
22	VTVR14052	(1259039-00001) Key 8x 7x30 Uni 6604a	2
23	MLML02801	(1259039-00001) Spring, Flap, Side	4
24	MLML00240	(1259039-00001) Spring, Retainer	2
25	MLML00241	(1259039-00001) Spring Top Brush	1
26	MOCC00390	(1259039-00001) Brush Motor	1
27	MOCC00474	(1259039-00001) Motor, Gearbox	1
28	LAFN04141	(1259039-00001) Pin Plate Motor	6
29	LAFN05932	(1259039-00001) Plate	1
30	LAFN05931	(1259039-00001) Plate	1
31	LAFN05930	(1259039-00001) Plate	1
32	LAFN05938	(1259039-00001) Plate	1
33	MFVR00139	(1259039-00001) Disk, Drive, Aluminium	2
34	LAFN05935	(1259039-00001) Plate	1
35	LAFN05937	(1259039-00001) Plate	1
36	RCVR01711	(1259039-00001) Connector	1
37	MPVR02897	(1259039-00001) Fitting, Restrictor	1
38	GUGO00264	(1259039-00001) Washer	12
39	LAFN04146	(1259039-00001) Rubber Fix Plate	2
40	897106	(1259039-00001) Washer, Flat, 6,00x11,00x1,6, Ss	2
41	897384	(1259039-00001) Washer, M5x14, Inox	4
42	897375	(1259039-00001) Washer, D. 8 X32, Uni6593, Inox	6
43	SPPV01527	(1259039-00001) Brush, Ppl, 42cm	2
44	MEVR07039	(1259039-00001) Connector Battery Sb50 Gray	2
45	LAFN05835	(1259039-00001) Solenoid Valve, Bracket	1
46	TBBP00146	(1259039-00001) Tube	1
47	TBBP00146	(1259039-00001) Tube	1
48	897256	(1259039-00001) Tube Flex D.12x3 Armorv.Pvc Tr	1
49	897352	(1259039-00001) Screw, Tcei, M.6x16	2
50	897453	(1259039-00001) Screw, Te, M4x12, Uni5739, Inox	2
51	897145	(1259039-00001) Screw, Te, M5x16, Uni5739, Inox	16
52	897130	(1259039-00001) Screw, Te, M6x12, Uni5739, A2	4
53	897128	(1259039-00001) Screw Te 6x16 Uni5739	31
54	897184	(1259039-00001) Screw, Te, M8x16, Uni5739, A2	8
55	897243	(1259039-00001) Screw Te M8x35 Uni5739 Inox	6
56	VTVT113941	(1259039-00001) Screw M5x16 Tspei Uni 5933	4
57	897277	(1259039-00001) Screw, Tspei, M6x20, Uni5933	2
58	MEVR05203	(1259039-00001) Carbon brush, Brush Motor	8

SCRUB HEAD GROUP (90cm Disk Model)

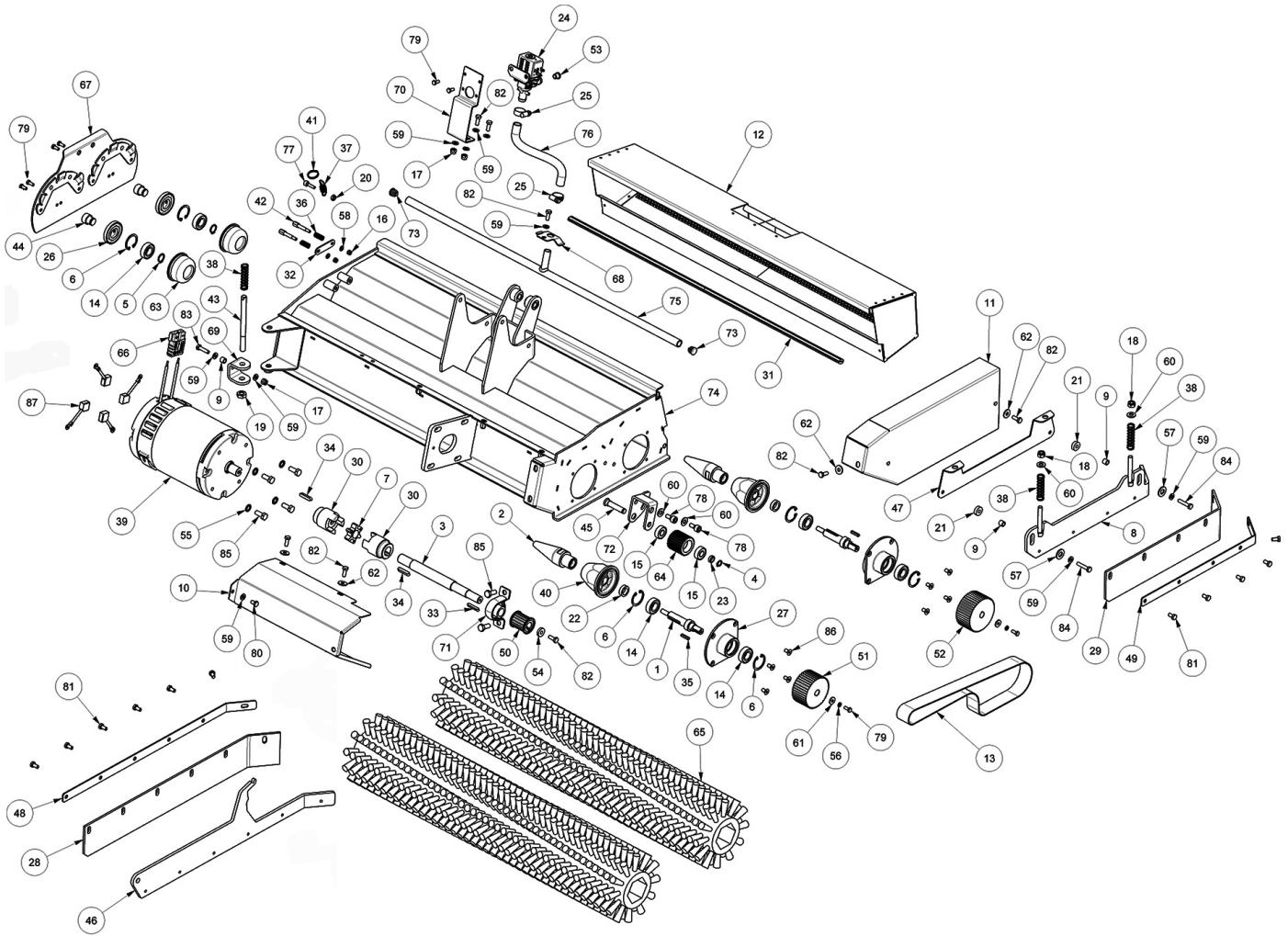


SCRUB HEAD GROUP (90cm Disk Model)

Ref.	Part No.	Serial Number	Description	Qty.
1	LAFN11208	(1259042-00001) Plate	2
2	LAFN05797	(1259042-00001) Plate, Spring	2
3	LAFN51005	(1259042-00001) Support, Assembled, Brush	1
4	897231	(1259042-00001) Bushing	2
5	CUVR00140	(1259042-00001) Bushing, Center	8
6	897524	(1259042-00001) Bearing, Ball, 8b 30d 11w	2
7	VTDD01701	(1259042-00001) Nut, M8, Inox	6
8	VTDD01693	(1259042-00001) Nut, M5, Inox	16
9	VTDD00147	(1259042-00001) Nut M 4 Inx U.5588	2
10	897105	(1259042-00001) Nut, M6, Inox	33
11	LAFN04140	(1259042-00001) Spacer X Spring	4
12	MEEV00043	(1259042-00001) Solenoid Valve	1
13	FSVR00096	(1259042-00001) Clamp 1016 Inox	4
14	897362	(1259042-00001) Clamp, Hose, Wormdrive, 12- 20d	2
15	LAFN05785	(1259042-00001) Flange Door Motor	2
16	MPVR51008	(1259042-00001) Flap, Rear	1
17	MPVR51004	(1259042-00001) Flap Brush Centering	4
18	MPVR51007	(1259042-00001) Flap, Side, Right	1
19	MPVR51006	(1259042-00001) Flap, Side, Left	1
20	MPVR51005	(1259042-00001) Flap, Rear	1
21	LAFN51010	(1259042-00001) Plate, Flap	4
22	LAFN51008	(1259042-00001) Plate, Metal, Flap, Side	1
23	LAFN51003	(1259042-00001) Plate, Flap, Right	1
24	LAFN51009	(1259042-00001) Plate, Metal, Flap, Side	1
25	LAFN51002	(1259042-00001) Plate, Metal, Left	1
26	LAFN51006	(1259042-00001) Plate, Metal, Right	1
27	LAFN51060	(1259042-00001) Plate, Metal, Left	1
28	VTVR14052	(1259042-00001) Key 8x 7x30 Uni 6604a	2
29	MLML02801	(1259042-00001) Spring, Flap, Side	4
30	MLML00240	(1259042-00001) Spring, Retainer	2
31	MLML00241	(1259042-00001) Spring Top Brush	1
32	MOCC00390	(1259042-00001) Brush Motor	1
33	MOCC00474	(1259042-00001) Motor, Gearbox	1
34	LAFN04141	(1259042-00001) Pin Plate Motor	6
35	MFVR00139	(1259042-00001) Disk, Drive, Aluminium	2
36	RCVR01711	(1259042-00001) Connector	1
37	MPVR02897	(1259042-00001) Fitting, Restrictor	1
38	GUGO00264	(1259042-00001) Washer	12
39	LAFN04146	(1259042-00001) Rubber Fix Plate	2
40	897106	(1259042-00001) Washer, Flat, 6,00x11,00x1,6, Ss	2
41	897384	(1259042-00001) Washer, M5x14, Inox	4
42	897375	(1259042-00001) Washer, D. 8 X32, Uni6593, Inox	6
43	SPPV01539	(1259042-00001) Brush, Ppl, 48cm	2
44	MEVR07039	(1259042-00001) Connector Battery Sb50 Gray	2
45	LAFN05835	(1259042-00001) Solenoid Valve, Bracket	1
46	TBBP00146	(1259042-00001) Tube	1
47	897256	(1259042-00001) Tube Flex D.12x3 Armorv.Pvc Tr	1
48	TBBP00146	(1259042-00001) Tube	1
49	897352	(1259042-00001) Screw, Tcei, M.6x16	2
50	897453	(1259042-00001) Screw, Te, M4x12, Uni5739, Inox	2
51	897145	(1259042-00001) Screw, Te, M5x16, Uni5739, Inox	16
52	897130	(1259042-00001) Screw, Te, M6x12, Uni5739, A2	4
53	897128	(1259042-00001) Screw Te 6x16 Uni5739	33
54	897184	(1259042-00001) Screw, Te, M8x16, Uni5739, A2	8
55	897243	(1259042-00001) Screw Te M8x35 Uni5739 Inox	6
56	VTVT13941	(1259042-00001) Screw M5x16 Tspei Uni 5933	4
57	897277	(1259042-00001) Screw, Tspei, M6x20, Uni5933	2
58	MEVR05203	(1259042-00001) Carbon Motor Brush	8

PARTS LIST

SCRUB HEAD GROUP (Cylindrical Brush Model)



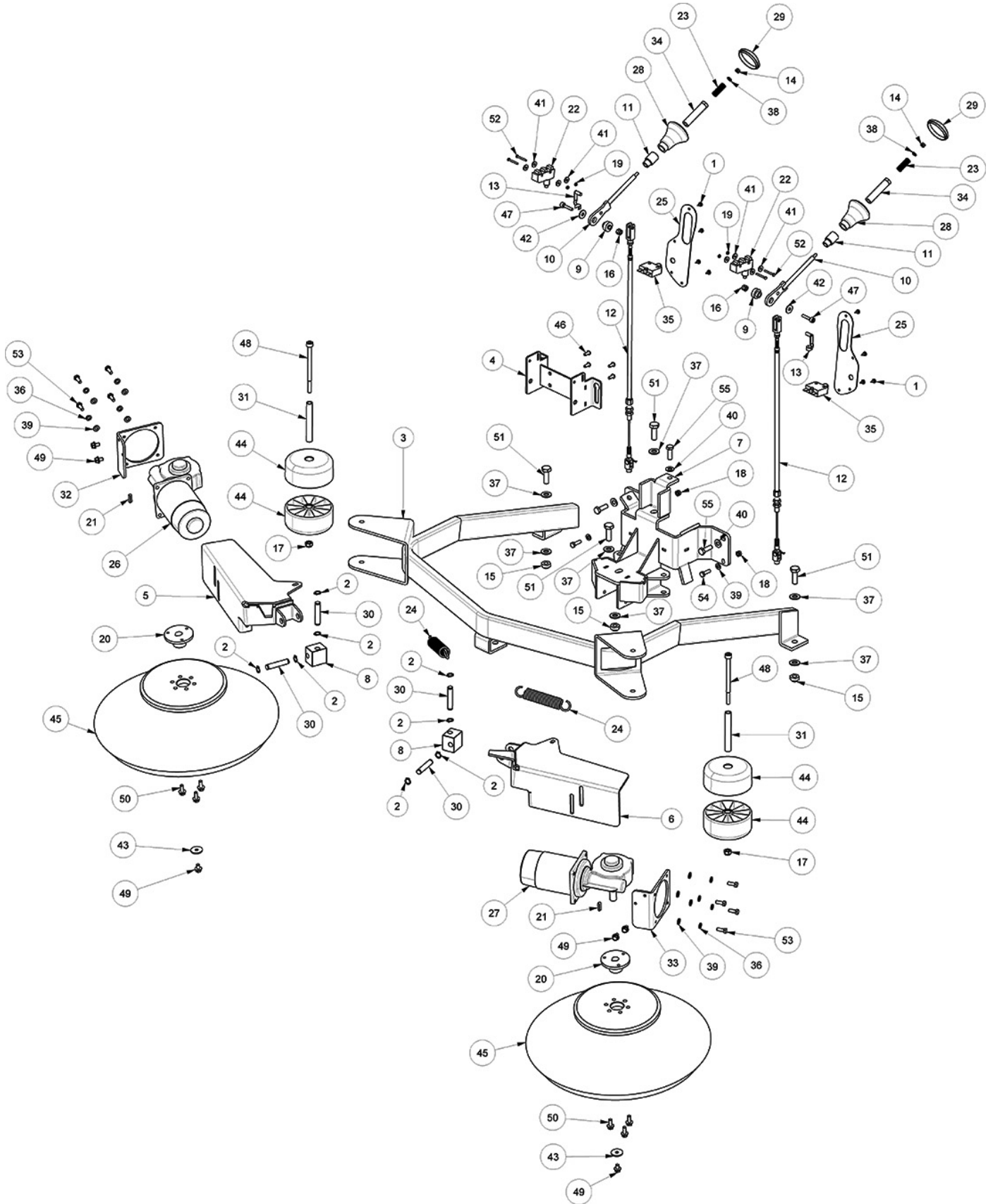
Ref.	Part No.	Serial Number	Description	Qty.
1	LAFN10126	(1259036-00001) Shaft, Head	2
2	LAFN10125	(1259036-00001) Shaft Insertion Brush	2
3	LAFN09175	(1259036-00001) Shaft	1
4	VTAE87276	(1259036-00001) Seeger Ext. D10 Din471	1
5	VTAE17003	(1259036-00001) Ring, Retaining, 15mmd, Outer Snap	2
6	VTAE00020	(1259036-00001) Seeger I32 Din472	6
7	GUVR75740	(1259036-00001) Ring	1
8	LAFN06397	(1259036-00001) Door Flap Left Complete	1
9	LAFN04184	(1259036-00001) Bushing, Roll	3
10	LAFN05891	(1259036-00001) Crankcase, Crankshaft	1
11	LAFN06393	(1259036-00001) Crankcase Lh Side	1
12	LAFN05886	(1259036-00001) Drawer, Roller Head, Metal	1
13	MTCG87404	(1259036-00001) Belt	1
14	CUVR00164	(1259036-00001) Bearing 6002rs -Skf	6
15	CUVR29964	(1259036-00001) Ball Bearing 6000,2rs1 Ball	2
16	VTDD08171	(1259036-00001) Nut M 5 Tef	2
17	VTDD00491	(1259036-00001) Nut, M6	3
18	VTDD01701	(1259036-00001) Nut, M8, Inox	2
19	VTDD00008	(1259036-00001) Nut M10 Uni 5589 Zb	1
20	897250	(1259036-00001) Nut, M6, Uni5589, Inox	1
21	LAFN06396	(1259036-00001) Spacer, Flap, Left	2
22	LAFN10128	(1259036-00001) Spacer	2
23	LAFN06846	(1259036-00001) Spacer	1
24	MEEV00043	(1259036-00001) Solenoid Valve	1
25	897362	(1259036-00001) Clamp, Hose, Wormdrive, 12- 20d	2
26	LAFN09022	(1259036-00001) Flange	2

SCRUB HEAD GROUP (Cylindrical Brush Model)

Ref.	Part No.	Serial Number	Description	Qty.
27	LAFN10127	(1259036-00001) Housing	2
28	MPVR02845	(1259036-00001) Flap, Side, Right	1
29	MPVR02846	(1259036-00001) Flap, Side, Left	1
30	FGGT00035	(1259036-00001) Joint	2
31	MPVR04922	(1259036-00001) Gasket, Joint	1
32	LAFN07034	(1259036-00001) Plate, Metal, Shock Door	1
33	VTVR13164	(1259036-00001) Key Uni 6604 5x5x30	1
34	VTVR16617	(1259036-00001) Key 6x 6x30 Uni	2
35	VTVR00572	(1259036-00001) Key 4x4x20	2
36	MLML00248	(1259036-00001) Spring	2
37	MLML00291	(1259036-00001) Spring, Flap, Side	1
38	MLML00302	(1259036-00001) Spring, Recording Flap	3
39	MOCC00166	(1259036-00001) Motor, Brush	1
40	MPVR05137	(1259036-00001) Hub, Brush	2
41	MLML00292	(1259036-00001) Spring, Flap, Side	1
42	LAFN04180	(1259036-00001) Pin, Door Key	2
43	LAFN06395	(1259036-00001) Pin, Flap, Right	1
44	LAFN09021	(1259036-00001) Pin Fix Brush	2
45	LAFN06847	(1259036-00001) Pin, Belt	1
46	LAFN05881	(1259036-00001) Plate Doorflap Right Head	1
47	LAFN06394	(1259036-00001) Plate Flap Left	1
48	LAFN05883	(1259036-00001) Plate Fixed Flap Right	1
49	LAFN05882	(1259036-00001) Plate Fixed Flap Left	1
50	MTPL00154	(1259036-00001) Pulley Motor Header	1
51	MTPL00152	(1259036-00001) Gear, Left	1
52	MTPL00153	(1259036-00001) Pulley, Brush, Roller	1
53	MPVR02897	(1259036-00001) Fitting, Restrictor	1
54	LAFN04179	(1259036-00001) Washer, Fixed, Pulley	1
55	897185	(1259036-00001) Washer, D. 8, Din6798-A, Inox, A2	4
56	897644	(1259036-00001) Washer, D.5, Inx, Grw, Uni1751	2
57	897432	(1259036-00001) Washer, D. 10x21, Uni6592, Inox	2
58	897166	(1259036-00001) Washer, D. 5, Inox	2
59	VTRS00503	(1259036-00001) Washer, D. 6	10
60	897152	(1259036-00001) Washer, D.8, Uni6592, Inox	4
61	VTRS15958	(1259036-00001) Washer Uni 6592 5x15x1,5 Zb	2
62	897112	(1259036-00001) Washer, Flat, 6,00x18,00x1,6	4
63	MPVR04720	(1259036-00001) Roller	2
64	MTPL00193	(1259036-00001) Roller	1
65	SPPV01286	(1259036-00001) Brush, Soft, Ppl, 75cm (Standard)	2
66	MEVR07039	(1259036-00001) Connector Battery Sb50 Gray	1
67	LAFN09020	(1259036-00001) Door	1
68	LAFN07035	(1259036-00001) Bracket, Clip, Detergent	1
69	LAFN07033	(1259036-00001) Bracket, Flap, Left	1
70	LAFN05835	(1259036-00001) Solenoid Valve, Bracket	1
71	CUVR00170	(1259036-00001) Bearing, Ball, Sbpp 203	1
72	LAFN06848	(1259036-00001) Support, Belt Tensioner	1
73	MPVR05163	(1259036-00001) Rod, Filter	2
74	LAFN09023	(1259036-00001) Roller Brush Frame	1
75	LAFN05885	(1259036-00001) Hose, Detergent, Distribution	1
76	897256	(1259036-00001) Tube Flex D.12x3 Armorv.Pvc Tr	1
77	VTVT06237	(1259036-00001) [125386]Screw Tcce Uni 5931 6x20 Zb	1
78	897347	(1259036-00001) Screw, Tcei, M.8x16	2
79	897459	(1259036-00001) Screw, M5x12, Te, Inox	8
80	897177	(1259036-00001) Screw, Te, M6x10, Inox	1
81	897130	(1259036-00001) Screw, Te, M6x12, Uni5739, A2	11
82	897128	(1259036-00001) Screw Te 6x16 Uni5739	8
83	897532	(1259036-00001) Screw, Te, M6x25, Uni5739, Inox	1
84	VTVT00433	(1259036-00001) Screw, M6x30	2
85	897316	(1259036-00001) Screw, Te, M8x20, Uni5739, Inox	6
86	VTVT00678	(1259036-00001) Screw	8
87	MEVR33562	(1259036-00001) Carbon 10x18x18 400w 12v	4

PARTS LIST

SIDE BRUSH GROUP (Cylindrical Brush Model)

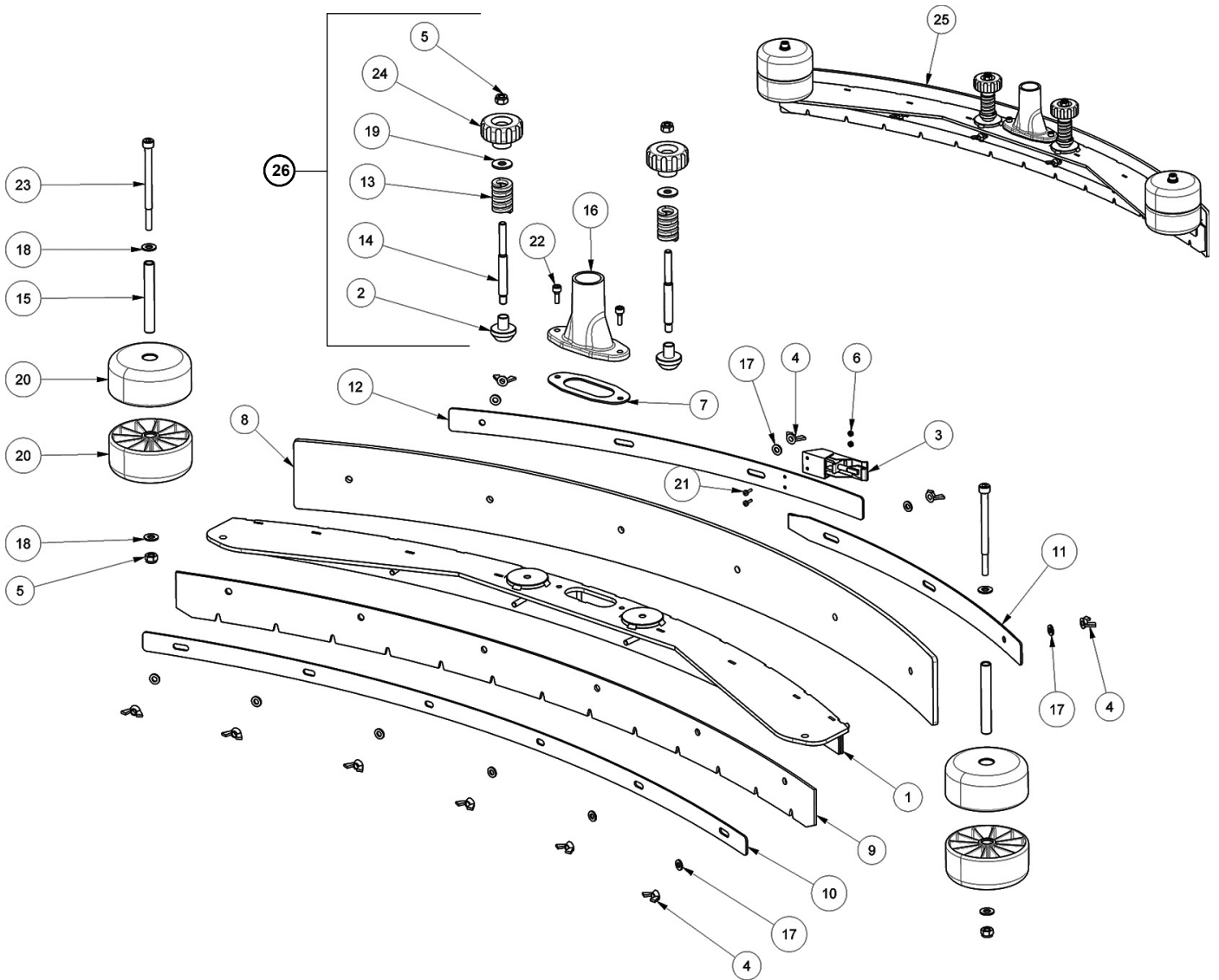


SIDE BRUSH GROUP (Cylindrical Brush Model)

Ref.	Part No.	Serial Number	Description	Qty.
1	VTVT85145	(1259036-00001) Screw Tcb T-Cross 4.2x9.5 Inox	8
2	VTAE87276	(1259036-00001) Seeger Ext. D10 Din471	8
3	LAFN07598	(1259036-00001) Housing	1
4	LAFN07597	(1259036-00001) Bracket	1
5	LAFN07595	(1259036-00001) Bracket	1
6	LAFN07596	(1259036-00001) Bracket	1
7	LAFN07594	(1259036-00001) Support	1
8	LAFN00154	(1259036-00001) Block Arm Side Brush Tk1050	2
9	LAFN00153	(1259036-00001) Bushing Lever Lift Brush.Lat.Zinc.	2
10	LAFN00803	(1259036-00001) Arm Brush Lift Later.1050	2
11	LAFN07612	(1259036-00001) Bushing	2
12	CMCV00359	(1259036-00001) Cable, Side, Broom	2
13	CMCV00009	(1259036-00001) Clip Uni 1676	2
14	VTDD08171	(1259036-00001) Nut M 5 Tef	2
15	VTDD00042	(1259036-00001) Nut, M10	3
16	VTDD00491	(1259036-00001) Nut, M6	2
17	VTDD01701	(1259036-00001) Nut, M8, Inox	2
18	897138	(1259036-00001) Nut, M6, Inox	2
19	VTDD00001	(1259036-00001) Nut, M3, Uni5588, Zb	4
20	LAFN45010	(1259036-00001) [140434]Flange Fixed Side Brushtk1000	2
21	VTVR13165	(1259036-00001) Key Uni 6604 5x5x20	2
22	MECI75801	(1259036-00001) [140451]Side Brusch Switch	2
23	MLML00027	(1259036-00001) Spring Brush Central Knob	2
24	MLML45102	(1259036-00001) Spring Arm Side Brush Tk1400	2
25	LAFN07599	(1259036-00001) Cover	2
26	MOCC00366	(1259036-00001) Motor	1
27	MOCC00367	(1259036-00001) Motor, Brush, Side	1
28	MPVR00868	(1259036-00001) Knob, Lifting Brush	2
29	MPVR00879	(1259036-00001) Knob, Lifting Brush	2
30	LAFN01148	(1259036-00001) Side Pin Brush	4
31	LAFN04127	(1259036-00001) Pin Bumper Roller	2
32	LAFN00808	(1259036-00001) Plate Side Brush Dx Tk1050	1
33	LAFN00809	(1259036-00001) Plate Side Brush Sx Tk1050	1
34	LAFN00523	(1259036-00001) Spring Holder Brush Lift	2
35	METT00040	(1259036-00001) Boot, Plstc	2
36	897129	(1259036-00001) Washer, D.6, Grw, Uni1751, Inox	8
37	897432	(1259036-00001) Washer, D. 10x21, Uni6592, Inox	7
38	VTRS00502	(1259036-00001) Washer, D.5, 0.466, Uni6592	2
39	897106	(1259036-00001) Washer, Flat, 6,00x11,00x1,6, Ss	10
40	897152	(1259036-00001) Washer, D.8, Uni6592, Inox	3
41	VTRS15959	(1259036-00001) Washer Uni 6593 4x12x1,5 Zb	8
42	VTRS04026	(1259036-00001) Washer D. 6x18x2.38	2
43	VTRS63242	(1259036-00001) [520174]Washer Uni 6593 6x24x2 Zb	2
44	RTRT00510	(1259036-00001) Wheel, Anti Shock	4
45	SPPV75790	(1259036-00001) Brush, Side, Ppl, Medium	2
46	897559	(1259036-00001) Screw Tbc Iso 7380 5x12	4
47	VTVT15966	(1259036-00001) Screw Tcei M 6x25	2
48	VTVT67560	(1259036-00001) Screw Tcei, M8x110, Inox, Aisi304	2
49	VTVT00527	(1259036-00001) Screw Te Fr 6x10 Zb Zig.	6
50	VTVT62920	(1259036-00001) Screw, Te, Fr, M6x16, Zb	6
51	VTVT01541	(1259036-00001) Screw Te, M10x30, Inox, Uni5739	4
52	VTVT00021	(1259036-00001) Screw Te Uni 5739 3x25 Zb	4
53	897128	(1259036-00001) Screw Te 6x16 Uni5739	8
54	897287	(1259036-00001) Screw, Te, M6x20, Uni5739, Inox	2
55	897233	(1259036-00001) Screw, Te, M8x25, Uni5739, Inox	3

PARTS LIST

SQUEEGEE GROUP (80cm Disk and 75cm Cylindrical Brush Models)

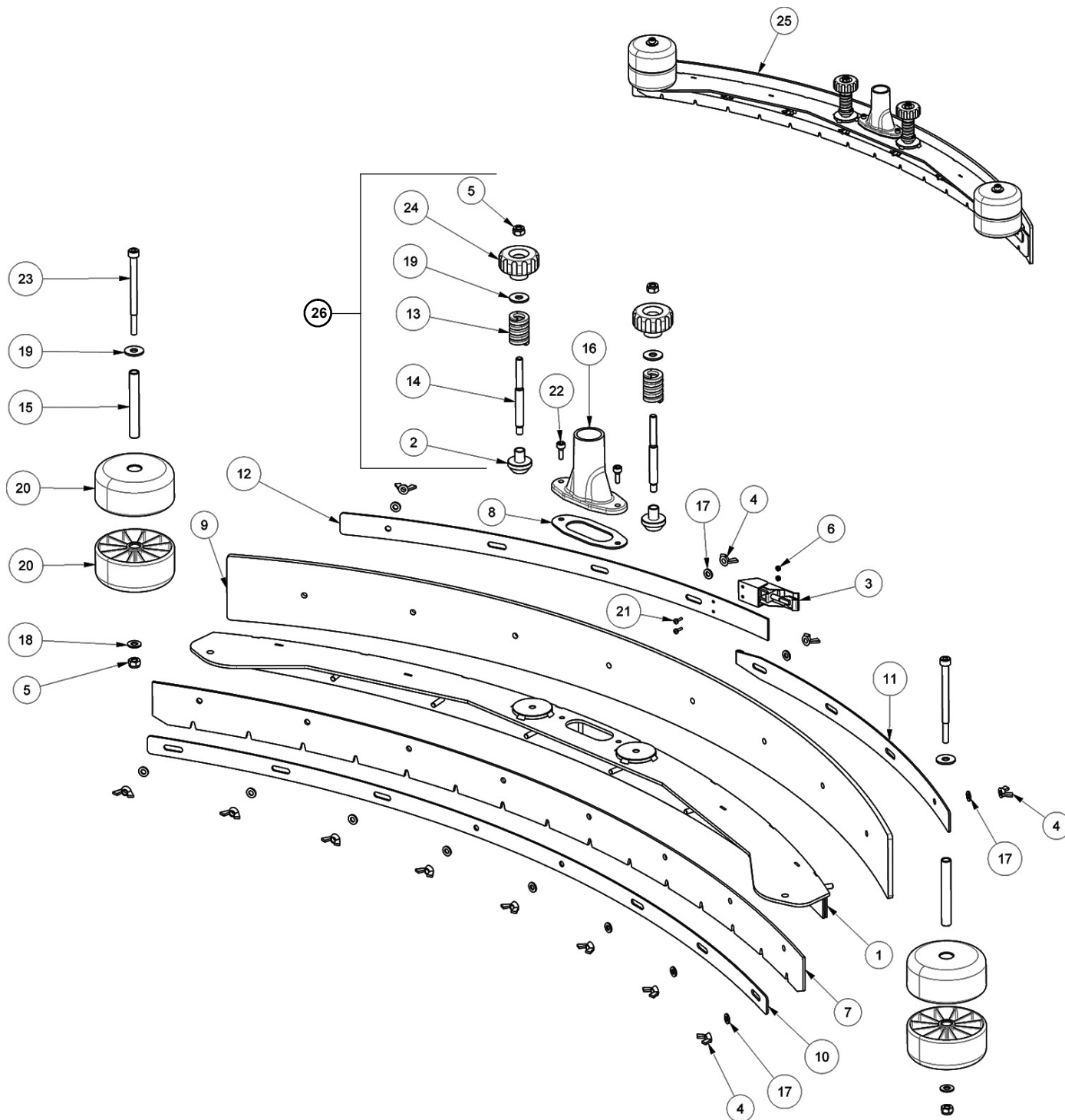


SQUEEGEE GROUP (80cm Disk and 75cm Cylindrical Brush Models)

Ref.	Part No.	Serial Number	Description	Qty.
1	LAFN05773	(1259039-00001) Blade, Wiper, Latex	1
2	LAFN11395	(1259039-00001) Bushing Squeegee	2
3	CHVR00050	(1259039-00001) Bracket, Lever ,Hook	1
4	VTDD00171	(1259039-00001) Nut, M6 Inox	10
5	VTDD01701	(1259039-00001) Nut, M8, Inox	4
6	897189	(1259039-00001) Nut, M3, Inox	2
7	GUGO06700	(1259039-00001) Gasket Squeegee	1
8	MPVR06552	(1259039-00001) Blade, Sqge, Rear, Linatex (Standard)	1
8	MPVR05883	(1259039-00001) Blade, Sqge, Rear, Latex	1
8	MPVR02832	(1259039-00001) Blade, Sqge, Rear, PU	1
9	MPVR06551	(1259039-00001) Blade, Sqge, Front, Linatex (Standard)	1
9	MPVR02830	(1259039-00001) Blade, Sqge, Front, Natural Rubber	1
9	MPVR13250	(1259039-00001) Blade, Sqge, Front, PU	1
10	LAFN05770	(1259039-00001) Plate, Metal, Front	1
11	LAFN05771	(1259039-00001) Plate, Fixed Flap	1
12	LAFN05772	(1259039-00001) Plate. Flap	1
13	MLML00502	(1259039-00001) Spring Squeegee	2
14	LAFN11394	(1259039-00001) Pin Squeegee	2
15	LAFN04127	(1259039-00001) Pin Bumper Roller	2
16	MPVR04626	(1259039-00001) Flange Suction Hose Connection	1
17	897106	(1259039-00001) Washer, Flat, 6,00x11,00x1,6, Ss	10
18	897152	(1259039-00001) Washer, D.8, Uni6592, Inox	4
19	897120	(1259039-00001) Washer, D.8x24, Uni6593, Inox	2
20	RTRT00510	(1259039-00001) Wheel, Anti Shock	4
21	897203	(1259039-00001) Screw	2
22	897352	(1259039-00001) Screw, Tcei, M.6x16	2
23	VTVT67560	(1259039-00001) Screw Tcei, M8x110, Inox, Aisi304	2
24	VTVR00047	(1259039-00001) Knob D.50 M8	2
25	PMVR06915	(1259039-00001) Squeegee Assembly w/ Linatex Blades (75/80cm models)	1
26	KTRI05628	(1259039-00001) Squeegee Knob Kit (Set of 2)	2

PARTS LIST

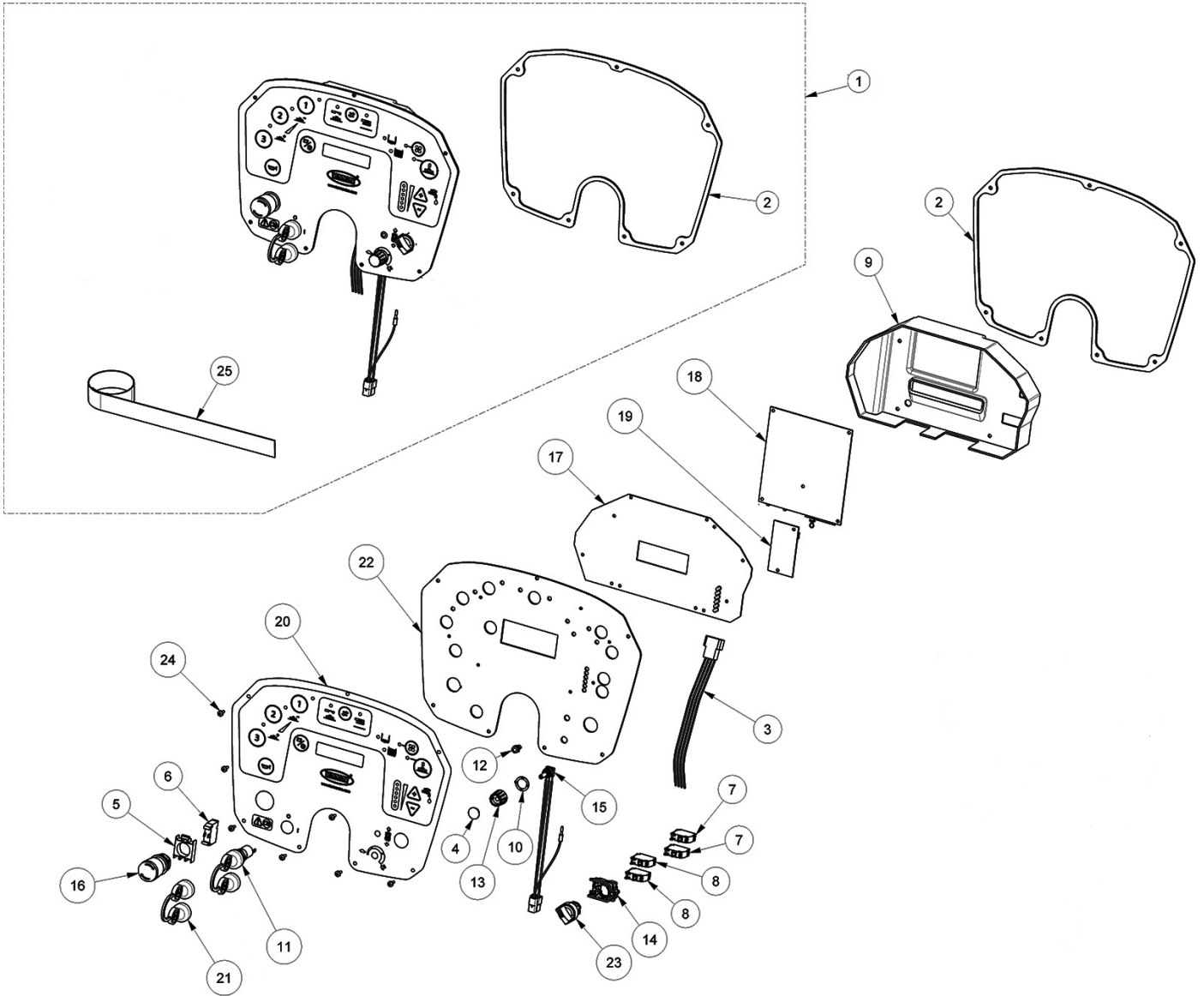
SQUEEGEE GROUP (90cm Disk Model)



SQUEEGEE GROUP (90cm Disk Model)

Ref.	Part No.	Serial Number	Description	Qty.
1	LAFN05913	(1259042-00001) Plate, Metal, Wiper	1
2	LAFN11395	(1259042-00001) Bushing Squeegee	2
3	CHVR00050	(1259042-00001) Bracket, Lever ,Hook	1
4	VTDD00171	(1259042-00001) Nut, M6 Inox	12
5	VTDD01701	(1259042-00001) Nut, M8, Inox	4
6	897189	(1259042-00001) Nut, M3, Inox	2
7	MPVR06553	(1259042-00001) Blade, Sqge, Front, Linatex (Standard)	1
7	MPVR02850	(1259039-00001) Blade, Sqge, Front, Natural Rubber	1
7	MPVR13251	(1259039-00001) Blade, Sqge, Front, PU	1
8	GUGO06700	(1259042-00001) Gasket Squeegee	1
9	MPVR06554	(1259042-00001) Blade, Sqge, Rear, Linatex (Standard)	1
9	MPVR05884	(1259039-00001) Blade, Sqge, Rear, Latex	1
9	MPVR51009	(1259039-00001) Blade, Sqge, Rear, PU	1
10	LAFN05914	(1259042-00001) Plate, Fixed Flap, Front	1
11	LAFN05915	(1259042-00001) Plate, Fixed Flap, Rear	1
12	LAFN05916	(1259042-00001) Plate, Flap, Rear	1
13	MLML00502	(1259042-00001) Spring Squeegee	2
14	LAFN11394	(1259042-00001) Pin Squeegee	2
15	LAFN04127	(1259042-00001) Pin Bumper Roller	2
16	MPVR04626	(1259042-00001) Flange Suction Hose Connection	1
17	897106	(1259042-00001) Washer, Flat, 6,00x11,00x1,6, Ss	12
18	897152	(1259042-00001) Washer, D.8, Uni6592, Inox	2
19	897120	(1259042-00001) Washer, D.8x24, Uni6593, Inox	4
20	RTRT00510	(1259042-00001) Wheel, Anti Shock	4
21	897203	(1259042-00001) Screw	2
22	897352	(1259042-00001) Screw, Tcei, M.6x16	2
23	VTVT67560	(1259042-00001) Screw Tcei, M8x110, Inox, Aisi304	2
24	VTVR00047	(1259042-00001) Knob D.50 M8	2
25	PMVR06916	(1259042-00001) Squeegee Assembly, Linatex Blades (90cm Model)	1
26	KTRI05628	(1259039-00001) Squeegee Knob Kit (Set of 2)	2

CONTROL PANEL GROUP

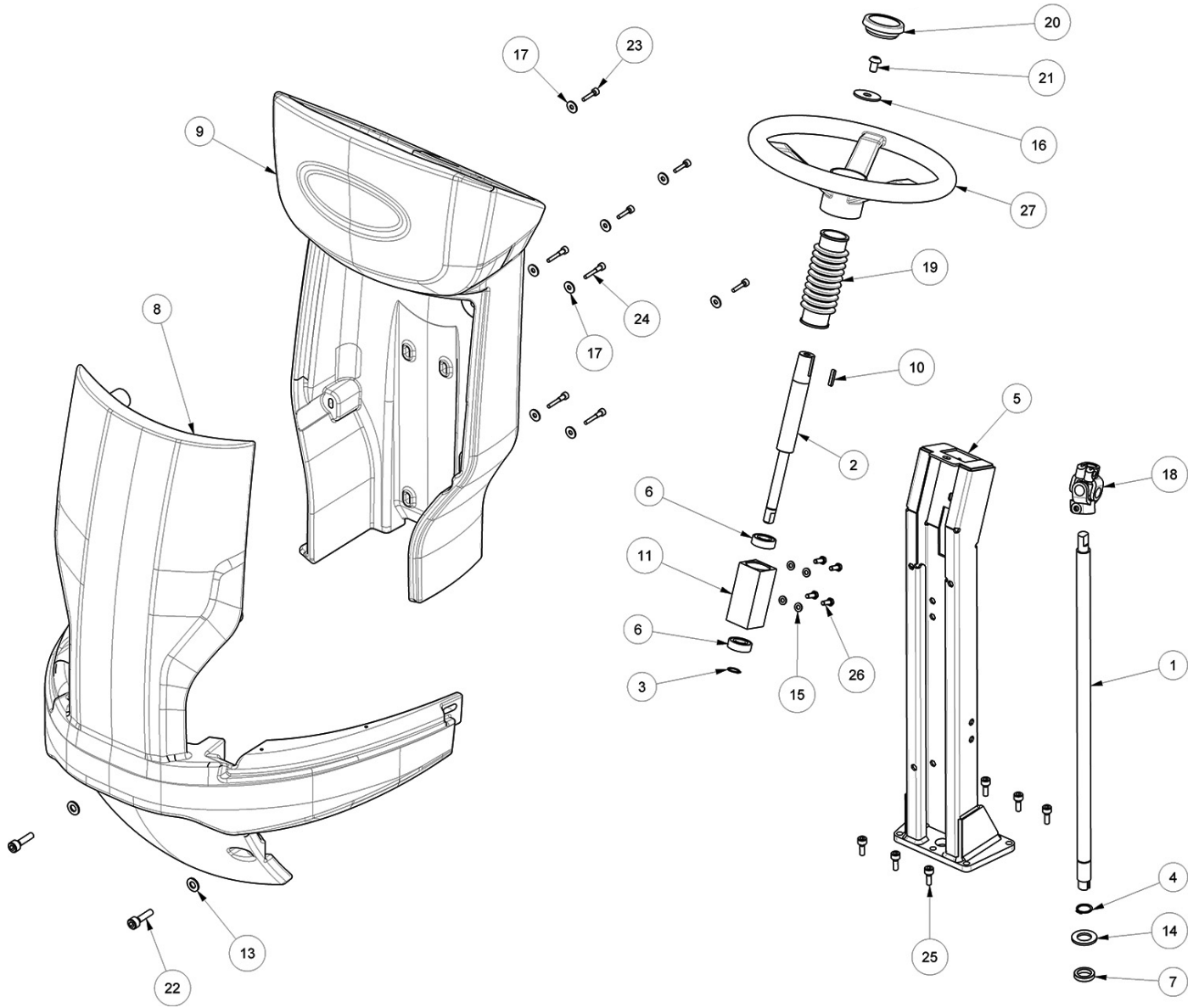


CONTROL PANEL GROUP

Ref.	Part No.	Serial Number	Description	Qty.
1	KTRI06405*	(12590xx-00001) Kit, Display Board Assy (includes items 2-25)	1
2	GUGO00702	(12590xx-00001) Gasket	1
3	MECB02035	(12590xx-00001) Wiring	1
4	MEVR01575	(12590xx-00001) Cap	1
5	MECI00583	(12590xx-00001) Bracket	1
6	MECI00584	(12590xx-00001) Contact	1
7	MEVR02012	(12590xx-00001) Contact	2
8	MEVR02039	(12590xx-00001) Contact	2
9	MPVR05840	(12590xx-00001) Cover	1
10	MEVR01574	(12590xx-00001) Ring Nut 2204	1
11	MECI00723	(12590xx-00001) Switch, Key	1
12	MECB01250	(12590xx-00001) Light, Led	1
13	MEVR01573	(12590xx-00001) Knob 2200 V6	1
14	MEVR02038	(12590xx-00001) Support	1
15	KTRI05576	(12590xx-00001) Potentiometer, Speed 100k	1
16	MECI00582	(12590xx-00001) Button	1
17	KTRI06415	(12590xx-00001) Kit, Display Board	1
18	KTRI06416*	(12590xx-00001) Kit, Board, Logic, Curtis	1
19	KTRI06417*	(12590xx-00001) Kit, Board, Interface	1
20	NA	(12590xx-00001) Label, Display (included with label kit KTRI06401)	1
21	MEVR02703	(12590xx-00001) Key, Spare, Battery	1
22	LAFN11719	(12590xx-00001) Support	1
23	MEVR02011	(12590xx-00001) Selector	1
24	897180	(12590xx-00001) Screw, M4x10, Tcb, Tc, Inox	7
25	27964	(12590xx-00001) Strap, Ground, Static	1

* Requires Tennant *True* service or an authorized Tennant service provider.

STEERING COLUMN GROUP (Disk Models)

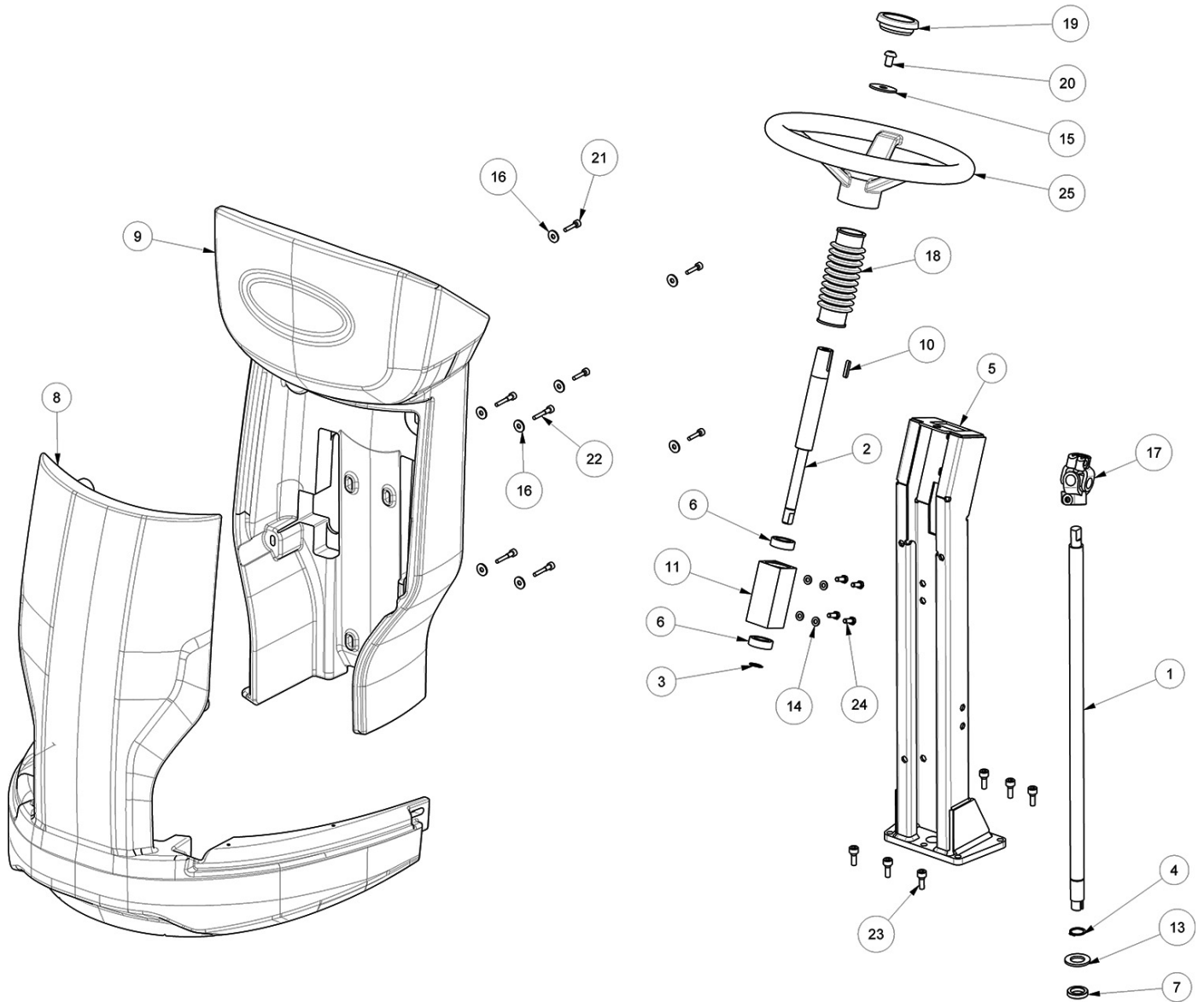


STEERING COLUMN GROUP (Disk Models)

Ref.	Part No.	Serial Number	Description	Qty.
1	LAFN04131	(12590xx-00001) Shaft, Steering, Lower	1
2	LAFN04076	(12590xx-00001) Shaft, Upper Steering	1
3	VTAE17003	(12590xx-00001) Ring, Retaining, 15mmd, Outer Snap	1
4	897280	(12590xx-00001) Circlip, D. 20, Uni7435	1
5	LAFN05787	(12590xx-00001) Support	1
6	CUVR17004	(12590xx-00001) Brush Bearing	2
7	LAFN07029	(12590xx-00001) Spacer	1
8	MPVR13190	(12590xx-00001) Covering Front	1
9	MPVR13191	(12590xx-00001) Covering Rear	1
10	VTVR33667	(12590xx-00001) Key Uni 6604 5x5x25	1
11	LAFN04133	(12590xx-00001) Hub, Steering Shaft	1
13	897432	(12590xx-00001) Washer, D. 10x21, Uni6592, Inox	2
14	897288	(12590xx-00001) Washer, Uni6592, Foro 20, Inox	1
15	897106	(12590xx-00001) Washer, Flat, 6,00x11,00x1,6, Ss	4
16	897401	(12590xx-00001) Washer, M10x40x2,5, Uni6593, Zb	1
17	897112	(12590xx-00001) Washer, Flat, 6,00x18,00x1,6	8
18	897397	(12590xx-00001) Joint, Steering	1
19	897408	(12590xx-00001) Bellows, Shaft, Steering	1
20	MPVR47026	(12590xx-00001) Cap For Steeringwheel	1
21	VTVT47025	(12590xx-00001) Screw Tbce Iso 7380 10x16 Zb	1
22	VTVT00411	(12590xx-00001) Screw Tcei M10x35 Uni5931	2
23	VTVT12255	(12590xx-00001) Screw Tcce Uni 5931 6x25 Zb	4
24	VTVT00729	(12590xx-00001) Screw Tcei M. 6-35	4
25	897377	(12590xx-00001) Screw Tcei M8x20 Uni5931 Inox	6
26	VTVT01531	(12590xx-00001) Screw Te 6x 16 Uni 5739	4
27	897400	(12590xx-00001) Wheel, Steering 320mm	1

PARTS LIST

STEERING COLUMN GROUP (Cylindrical Brush Model)

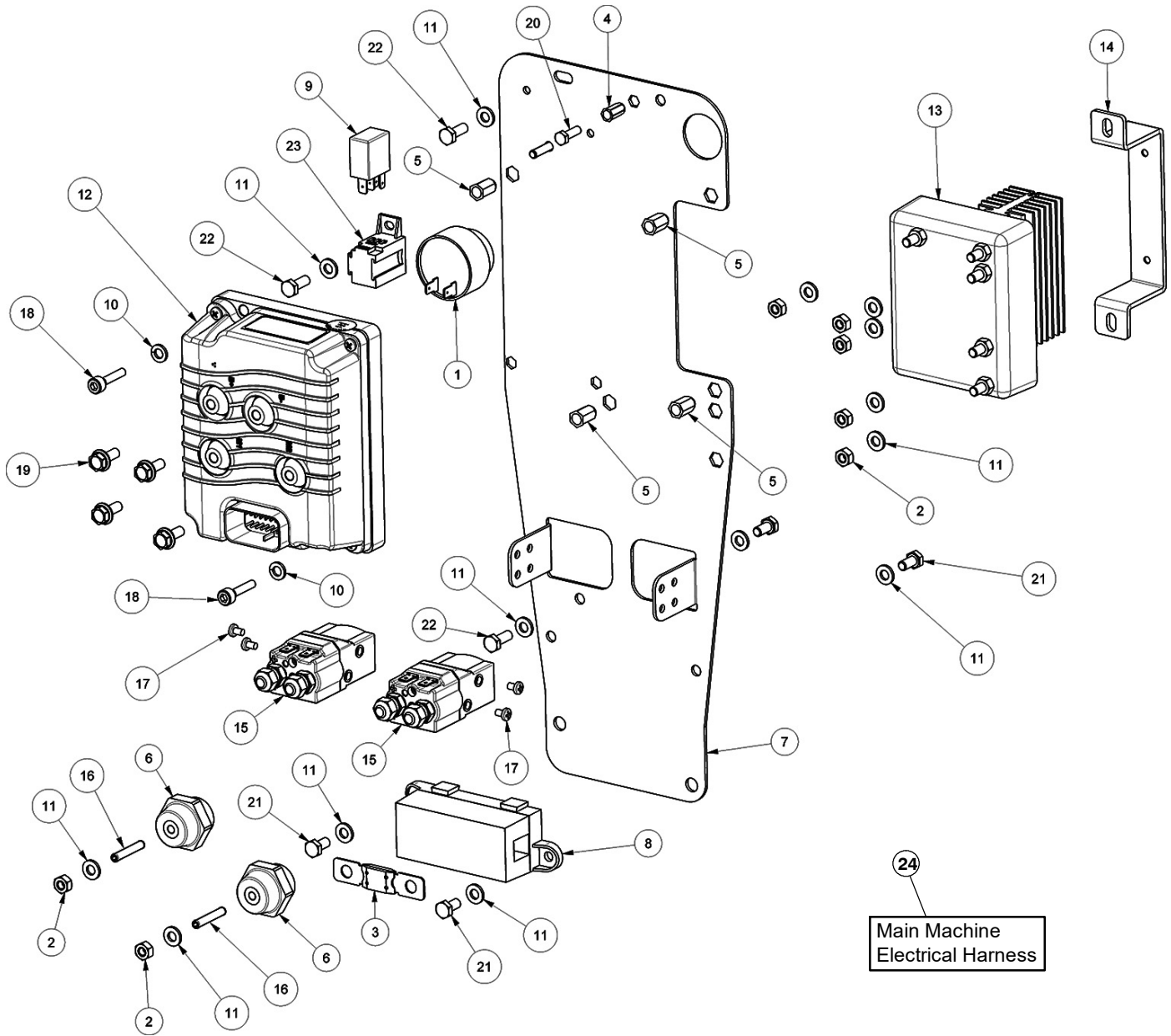


STEERING COLUMN GROUP (Cylindrical Brush Model)

Ref.	Part No.	Serial Number	Description	Qty.
1	LAFN04131	(1259036-00001) Shaft, Steering, Lower	1
2	LAFN04076	(1259036-00001) Shaft, Upper Steering	1
3	VTAE17003	(1259036-00001) Ring, Retaining, 15mmd, Outer Snap	1
4	897280	(1259036-00001) Circlip, D. 20, Uni7435	1
5	LAFN05787	(1259036-00001) Support	1
6	CUVR17004	(1259036-00001) Brush Bearing	2
7	LAFN07029	(1259036-00001) Spacer	1
8	MPVR13221	(1259036-00001) Crankcase Front	1
9	MPVR13220	(1259036-00001) Crankcase Rear	1
10	VTVR33667	(1259036-00001) Key Uni 6604 5x5x25	1
11	LAFN04133	(1259036-00001) Hub, Steering Shaft	1
13	897288	(1259036-00001) Washer, Uni6592, Foro 20, Inox	1
14	897106	(1259036-00001) Washer, Flat, 6,00x11,00x1,6, Ss	4
15	897401	(1259036-00001) Washer, M10x40x2,5, Uni6593, Zb	1
16	897112	(1259036-00001) Washer, Flat, 6,00x18,00x1,6	8
17	897397	(1259036-00001) Joint, Steering	1
18	897408	(1259036-00001) Bellows, Shaft, Steering	1
19	MPVR47026	(1259036-00001) Cap For Steeringwheel	1
20	VTVT47025	(1259036-00001) Screw Tlce Iso 7380 10x16 Zb	1
21	VTVT12255	(1259036-00001) Screw Tcce Uni 5931 6x25 Zb	4
22	VTVT00729	(1259036-00001) Screw Tcei M. 6-35	4
23	897377	(1259036-00001) Screw Tcei M8x20 Uni5931 Inox	6
24	VTVT01531	(1259036-00001) Screw Te 6x 16 Uni 5739	4
25	897400	(1259036-00001) Wheel, Steering 320mm	1

PARTS LIST

ELECTRICAL COMPONENTS GROUP (Disk Models)

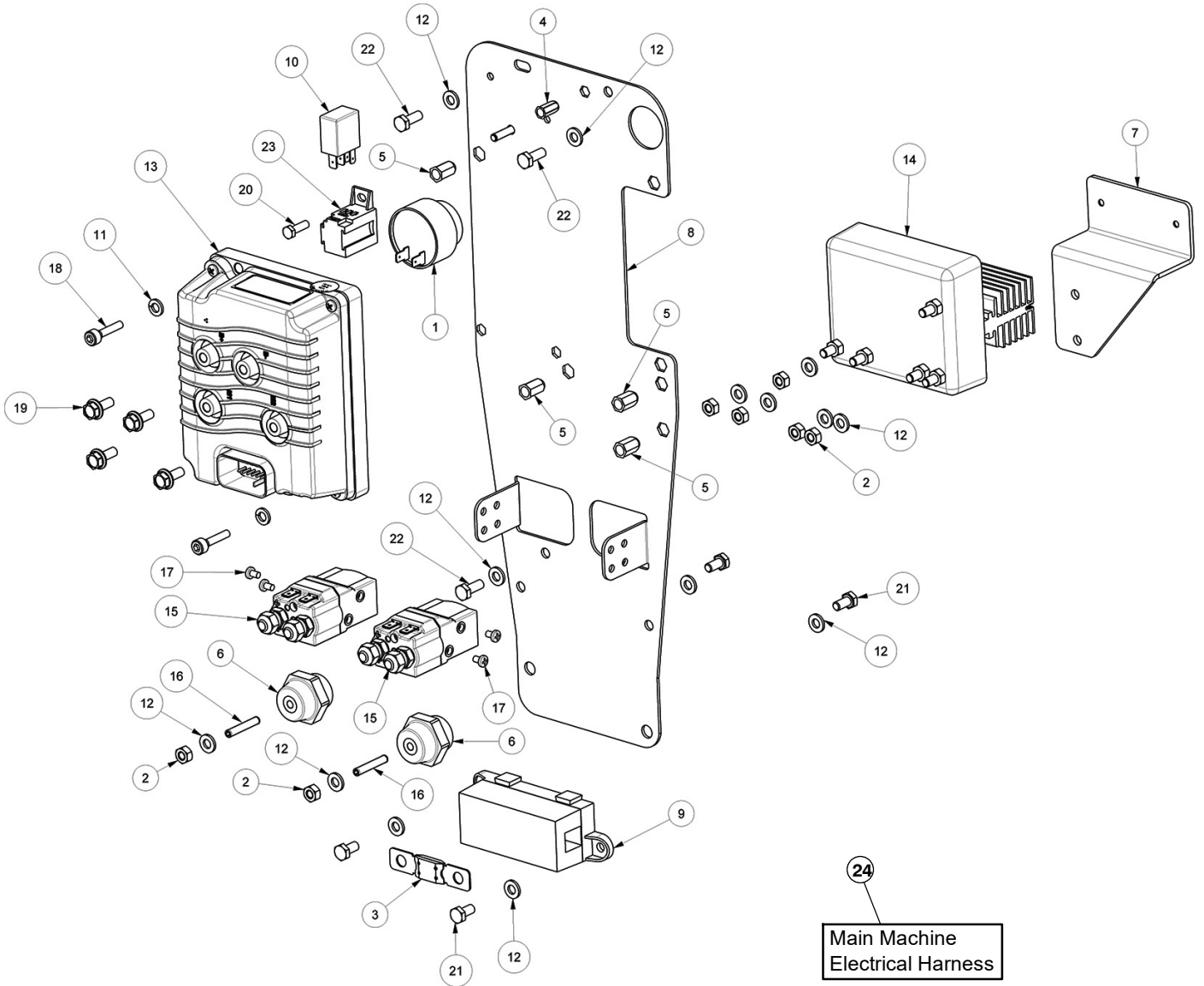


ELECTRICAL COMPONENTS GROUP (Disk Models)

Ref.	Part No.	Serial Number	Description	Qty.
1	MEVR01436	(12590xx-00001) Buzzer	1
2	897405	(12590xx-00001) Nut, M6, Uni5588, Inox, A2	7
3	MEVR00145	(12590xx-00001) Fuse 100a	1
4	VTVR00564	(12590xx-00001) Insert	1
5	VTVR00020	(12590xx-00001) Insert, Threaded, Hexagonal	4
6	MEVR47082	(12590xx-00001) Insulator	2
7	LAFN08876	(12590xx-00001) Support	2
8	MEVR00146	(12590xx-00001) Fuse Box	1
9	MECE00456	(12590xx-00001) Relay, Brush Head	1
10	897129	(12590xx-00001) Washer, D.6, Grw, Uni1751, Inox	2
11	897106	(12590xx-00001) Washer, Flat, 6,00x11,00x1,6, Ss	14
12	MECE00788	(12590xx-00001) Traction Card	1
13	MECE00526	(12590xx-00001) Board Power Service	1
14	LAFN08877	(12590xx-00001) Support	1
15	METT00086	(12590xx-00001) Contactor, 100a	2
16	VTVT00900	(12590xx-00001) Grub Screw M 6-30 Con Es	2
17	VTVT00881	(12590xx-00001) Screw Tc+ M4x6	4
18	VTVT15966	(12590xx-00001) Screw Tcei M 6x25	2
19	VTVT62920	(12590xx-00001) Screw, Te, Fr, M6x16, Zb	4
20	897145	(12590xx-00001) Screw, Te, M5x16, Uni5739, Inox	1
21	897130	(12590xx-00001) Screw, Te, M6x12, Uni5739, A2	4
22	897128	(12590xx-00001) Screw Te 6x16 Uni5739	3
23	MEVR02888	(12590xx-00001) Base Te V23333-Z1001-B045	1
24	MECB02292	(12590xx-00001) Harness, Electrical, Main, T981 (not shown)	1

PARTS LIST

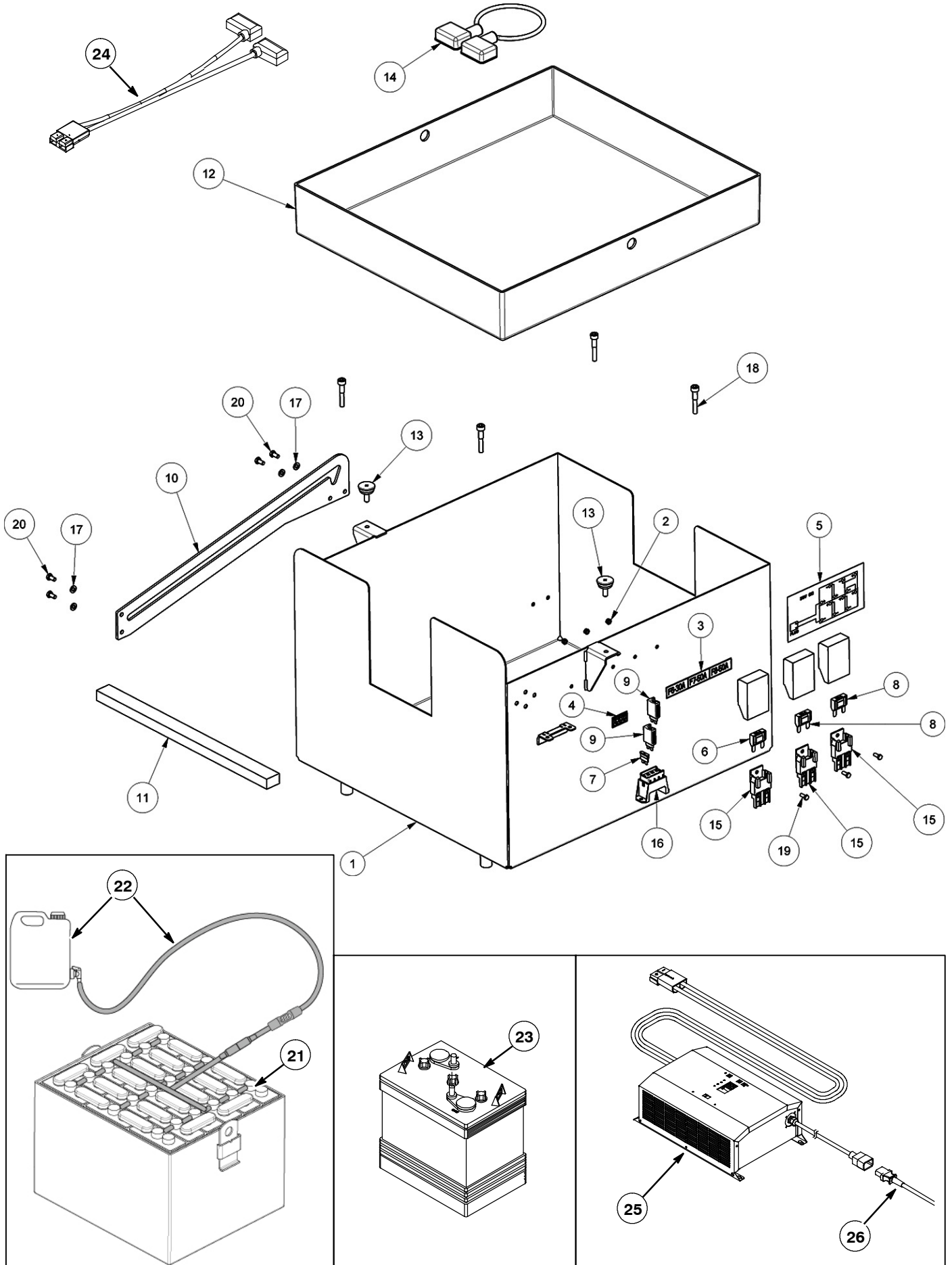
ELECTRICAL COMPONENTS GROUP (Cylindrical Brush Model)



ELECTRICAL COMPONENTS GROUP (Cylindrical Brush Model)

Ref.	Part No.	Serial Number	Description	Qty.
1	MEVR01436	(1259036-00001) Buzzer	1
2	897405	(1259036-00001) Nut, M6, Uni5588, Inox, A2	7
3	MEVR00145	(1259036-00001) Fuse 100a	1
4	VTVR00564	(1259036-00001) Insert	1
5	VTVR00020	(1259036-00001) Insert, Threaded, Hexagonal	4
6	MEVR47082	(1259036-00001) Insulator	2
7	LAFN08997	(1259036-00001) Housing	1
8	LAFN08876	(1259036-00001) Support	2
9	MEVR00146	(1259036-00001) Fuse Box	1
10	MECE00456	(1259036-00001) Relay, Brush Head	1
11	897129	(1259036-00001) Washer, D.6, Grw, Uni1751, Inox	2
12	897106	(1259036-00001) Washer, Flat, 6,00x11,00x1,6, Ss	14
13	MECE00788	(1259036-00001) Traction Card	1
14	MECE00526	(1259036-00001) Board Power Service	1
15	METT00086	(1259036-00001) Contactor, 100a	2
16	VTVT00900	(1259036-00001) Grub Screw M 6-30 Con Es	2
17	VTVT00881	(1259036-00001) Screw Tc+ M4x6	4
18	VTVT15966	(1259036-00001) Screw Tcei M 6x25	2
19	VTVT62920	(1259036-00001) Screw, Te, Fr, M6x16, Zb	4
20	897145	(1259036-00001) Screw, Te, M5x16, Uni5739, Inox	1
21	897130	(1259036-00001) Screw, Te, M6x12, Uni5739, A2	4
22	897128	(1259036-00001) Screw Te 6x16 Uni5739	3
23	MEVR02888	(1259036-00001) Base Te V23333-Z1001-B045	1
24	MECB02292	(12590xx-00001) Harness, Electrical, Main, T981 (not shown)	1

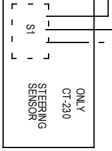
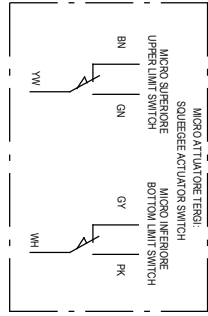
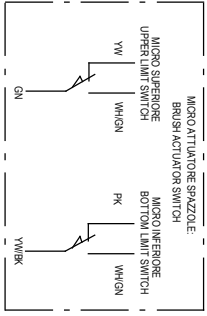
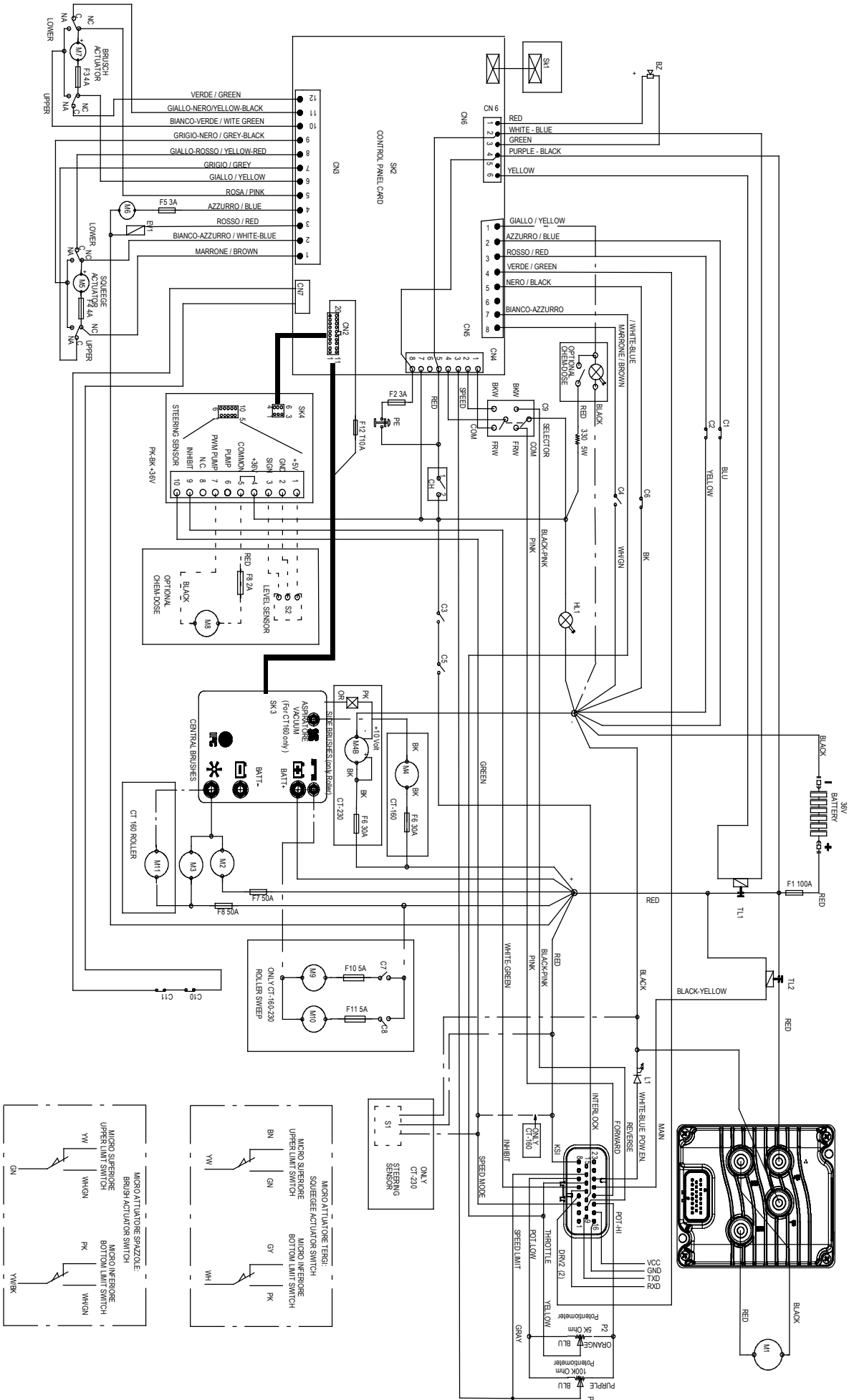
BATTERY COMPARTMENT GROUP



BATTERY COMPARTMENT GROUP

Ref.	Part No.	Serial Number	Description	Qty.
1	LASL51000	(12590xx-00001) Housing	1
2	VTDD01693	(12590xx-00001) Nut, M5, Inox	3
3	NA	(12590xx-00001) Label, Fuse (Included in label kit KTRI06401)	1
4	NA	(12590xx-00001) Label, Fuse (included in label kit KTRI06401)	1
5	NA	(12590xx-00001) Label, Battery, Schematic (included in label kit KTRI06401)	1
6	MEVR00644	(12590xx-00001) Fuse, 030a	1
7	MEVR00584	(12590xx-00001) Fuse 3a	1
8	MEVR04014	(12590xx-00001) Fuse 50a	2
9	MEVR01559	(12590xx-00001) Fuse Resettable	2
10	LAFN05807	(12590xx-00001) Plate, Tank Rod	1
11	MPVR04744	(12590xx-00001) Gasket	1
12	MPVR04127	(12590xx-00001) Plate, Box, Battery (Included w/models shipped w/o batteries)	1
13	VTVR00038	(12590xx-00001) Knob	2
14	897205	(12590xx-00001) Wiring Battery Bridge w/Terminal (240Ah Gel Batteries)	5
15	MEVR00613	(12590xx-00001) Fuse Box With Cover	3
16	MEVR00030	(12590xx-00001) Fuse Holder 4-Way Lid Trans	1
17	897106	(12590xx-00001) Washer, Flat, 6,00x11,00x1,6, Ss	4
18	VTVT00889	(12590xx-00001) Screw Tcei M. 8-45	4
19	897459	(12590xx-00001) Screw, M5x12, Te, Inox	3
20	897130	(12590xx-00001) Screw, Te, M6x12, Uni5739, A2	4
21	BAAC00113	(12590xx-00001) Wet Battery 36 Volts 320Ah Auto Filling	1
22	9021903	(12590xx-00001) Kit, Fill, Battery, Manual (Complete)	1
23	994229	(12590xx-00001) Battery, Gel, 06Vdc 240Ah [5H, MF, GL06240V]	6
24	MECB02057	(12590xx-00001) Cable, Battery, Connector (240Ah Gel Battery)	1
24	MECB07611	(12590xx-00001) Cable, Battery, Connector (360Ah Wet Battery)	1
25	1232896	(12590xx-00001) Charger, 36Vdc 045A GEL Sb175G 230Vac	1
25	1232897	(12590xx-00001) Charger, 36Vdc 045A WET, Sb175G, 230Vac	1
26	1043746	(12590xx-00001) Cable, Charger, EU	1
26	1041716	(12590xx-00001) Cable, Charger, UK	1

ELECTRICAL DIAGRAM



ELECTRICAL COMPONENTS KEY

M1	MOTORE TRAZIONE	TRACTION MOTOR
M2	MOTORE SPAZZOLE	BRUSCH MOTOR
M3	MOTORE SPAZZOLE	BRUSCH MOTOR
M4	MOTORE ASPIRAZIONE (CT160)	VACUM MOTOR (CT160)
M4 B	MOTORE ASP.BRUSCHLESS (CT230)	VAC. MOTOR BRUSCHLESS (CT230)
M5	MOTORE TERGI	WIPER MOTOR
M6	POMPAACQUA	WATER PUMP
M7	ATTUATORE SPAZZOLE	BRUSCH ACTUATOR
M8	MOTORE POMPA CHIMICO	CHEMICAL DOSE PUMP
M9	MOTORE SPAZZOLA LATERALE DX	RIGHT SIDE BRUSCH MOTOR
M10	MOTORE SPAZZOLA LATERALE SX	LEFT SIDE BRUSCH MOTOR
M11	MOTORE SPAZZOLA TESTATA RULLI	ROLLER BRUSCH MOTOR
TL1	TELERUTTORE UNIPOLARE	ELECTROMAGNETIC SWITCH
TL2	TELERUTTORE UNIPOLARE	ELECTROMAGNETIC SWITCH
EV1	ELETTROVALVOLA	SOLENOID VALVE
C1	CLIXON MOTORE TRAZIONE	CLIXON TRACTION MOTOR
C2	MSW ACQUA PULITA	MSW CLEAN WATER
C3	MSW SEDILE	MSW SEAT
C4	MSW ACQUA SPORCA	DIRTY WATER SENSOR LEVEL
C5	MSW PEDALE AVANZAMENTO	MSW ADVANCEMENT PEDAL
C6	MSW FRENO DI STAZIONAMENTO	MSW PARKING BRAKE
C7	MSW SPAZZOLA LATERALE DX	MSW RIGHT SIDE BRUSCH
C8	MSW SPAZZOLA LATERALE SX	MSW LEFT SIDE BRUSCH
C9	SELETORE DIREZIONE	DIRECTION SWITCH
C10	CLIXON MOTORE SPAZZOLA	CLIXON BRUSCH MOTOR
C11	CLIXON MOTORE SPAZZOLA	CLIXON BRUSCH MOTOR
P1	POTENZIOMETRO PEDALIERA 5K	PEDAL POTENTIOMETER 5K
P2	POTENZIOMETRO PLANCIA 100K	SPEED LIMITER POTENTIOMETER
CH	INTERRUTTORE CHIAVE	KEY SWITCH
PE	PULSANTE EMERGENZA	EMERGENCY PUSCH BOTTON
BZ	BUZZER	BUZZER
F1	FUS. 100 A GENERALE	MAIN FUSE 100 A
F2	FUS. 3A CHIAVE	FUS. 3A KEY
F3	FUS. RIARM. 4A ATT. TESTATA	RES. FUSE 4A BRUSCH ACTUATOR
F4	FUS. RIARM. 4A ATT. TERGI	RES. FUSE 4A WIPER ACTUATOR
F5	FUS. 3A POMPA ACQUA	FUSE 3A WATER PUMP
F6	FUS. 30AASPIRATORE	FUSE 30A VACUM
F7	FUS. 50A MOT. SPAZZ	FUSE 50A BRUSCH MOTOR
F8	FUS. 50A MOT. SPAZZ	FUSE 50A BRUSCH MOTOR
F9	FUS. 2A POMPA CHEM- DOSE	FUSE 2A CHEM- DOSE PUMP
F10	FUS. RIARM. 5A MOT. SPAZZ. LAT	RES. FUSE 5A SIDE BRUSCH MOTOR
F11	FUS. RIARM. 5A MOT. SPAZZ. LAT	RES. FUSE 5A SIDE BRUSCH MOTOR
F12	FUS. RITARDATO 10A PLANCIA	DELAYED FUSE 10A DASCHBOARD
SK1	PLANCIA COMANDI	DASCHBOARD
SK2	SCHEDA MICRO	MICRO CARD
SK3	SCHEDA POTENZA	OUTPUT CARD
SK4	SCHEDA CHIMICO	CHEM- DOSE CARD
SK5	SCHEDA TRAZIONE	TRACTION CARD
BKW	MARCIA INDIETRO	REVERSE SWITCH
FRW	MARCIA AVANTI	FORWARD SWITCH
R1	RESISTENZA 220 Ω 5W	RESISTOR 220 Ω 5W
R2	RESISTENZA 220 Ω 5W	RESISTOR 220 Ω 5W
HL1	LAMPEGGIANTE	FLASHING LIGHT
L1	LED STATO CURTIS	CURTIS STATUS LED
S1	SENSORE RALLENTAMENTO STERZO	STEERING SPEED REDUCTION SENSOR
S2	SENSORE LIVELLO CHIMICO	CHEMICAL LEVEL SENSOR
K1	RELE' SICUREZZA TRAZIONE	TRACTION SAFETY RELAY